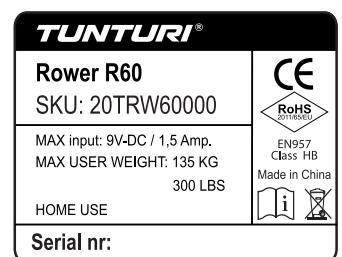


TUNTURI®

R60 Rower Performance

GB	User manual	09 - 15
DE	Benutzerhandbuch	16 - 23
FR	Manuel de l'utilisateur	24 - 31
NL	Gebruikershandleiding	32 - 39
IT	Manuale d'uso	40 - 47
ES	Manual del usuario	48 - 55
SV	Bruksanvisning	56 - 63
SU	Käyttöohje	64 - 71



Attention, Achtung, Attention, Attentie, Attenzione, Atención, Giv akt, Huomio

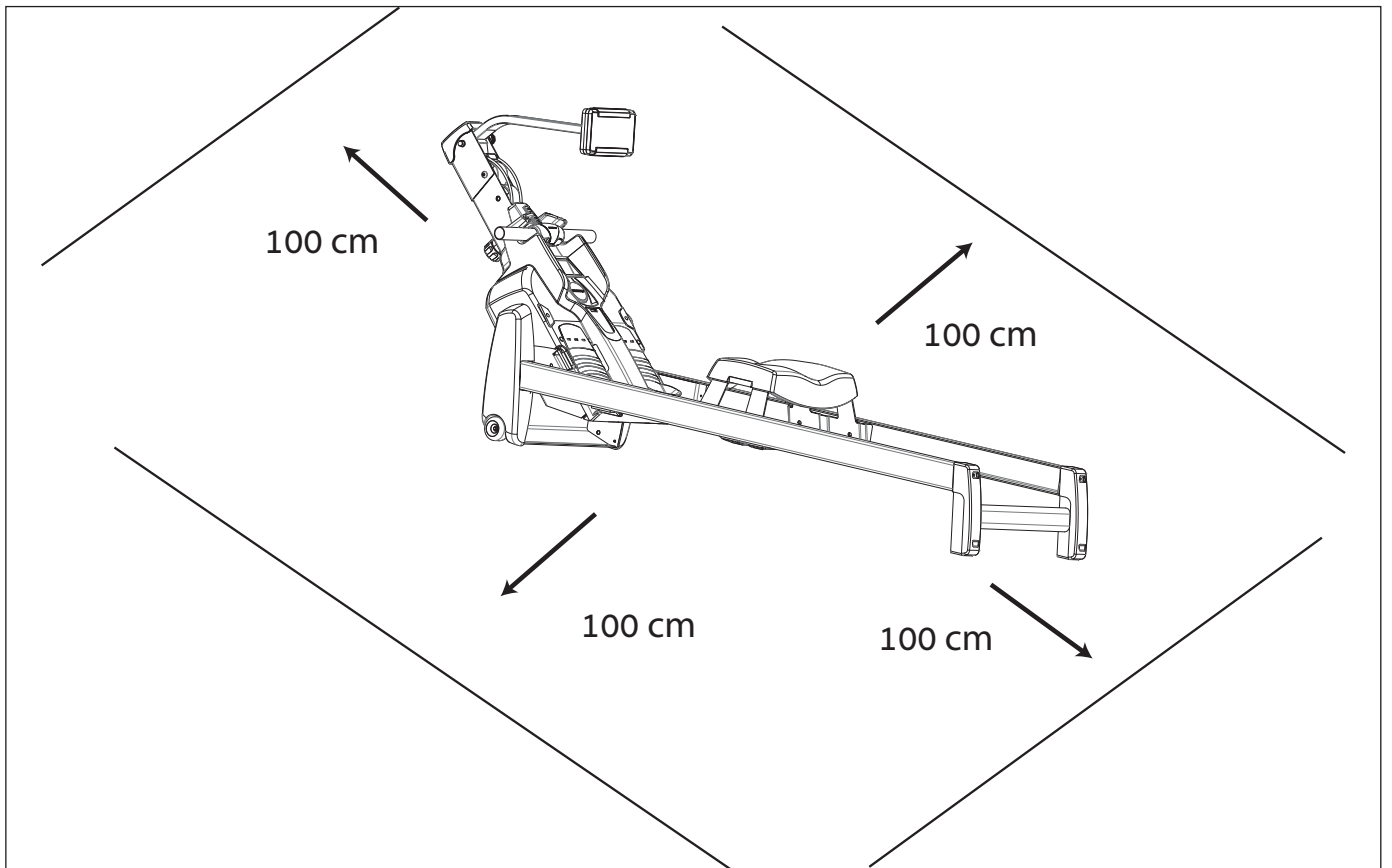
- Please read this user manual carefully prior to using this product.
- Lesen Sie sich vor dem Gebrauch des Produkts diese Bedienungsanleitung sorgfältig durch.
- Veuillez lire attentivement le présent manuel de l'utilisateur avant d'utiliser ce produit.
- Lees deze gebruikershandleiding zorgvuldig voordat u dit product gaat gebruiken.
- Leggere attentamente questo manuale dell'utente prima di utilizzare il prodotto.
- Antes de utilizar este producto, lea atentamente este manual de usuario.
- Läs den här användarhandboken noggrant före användning av den här produkten.
- Lue tämä käyttöohje huolellisesti ennen tämän tuotteen käyttöä.



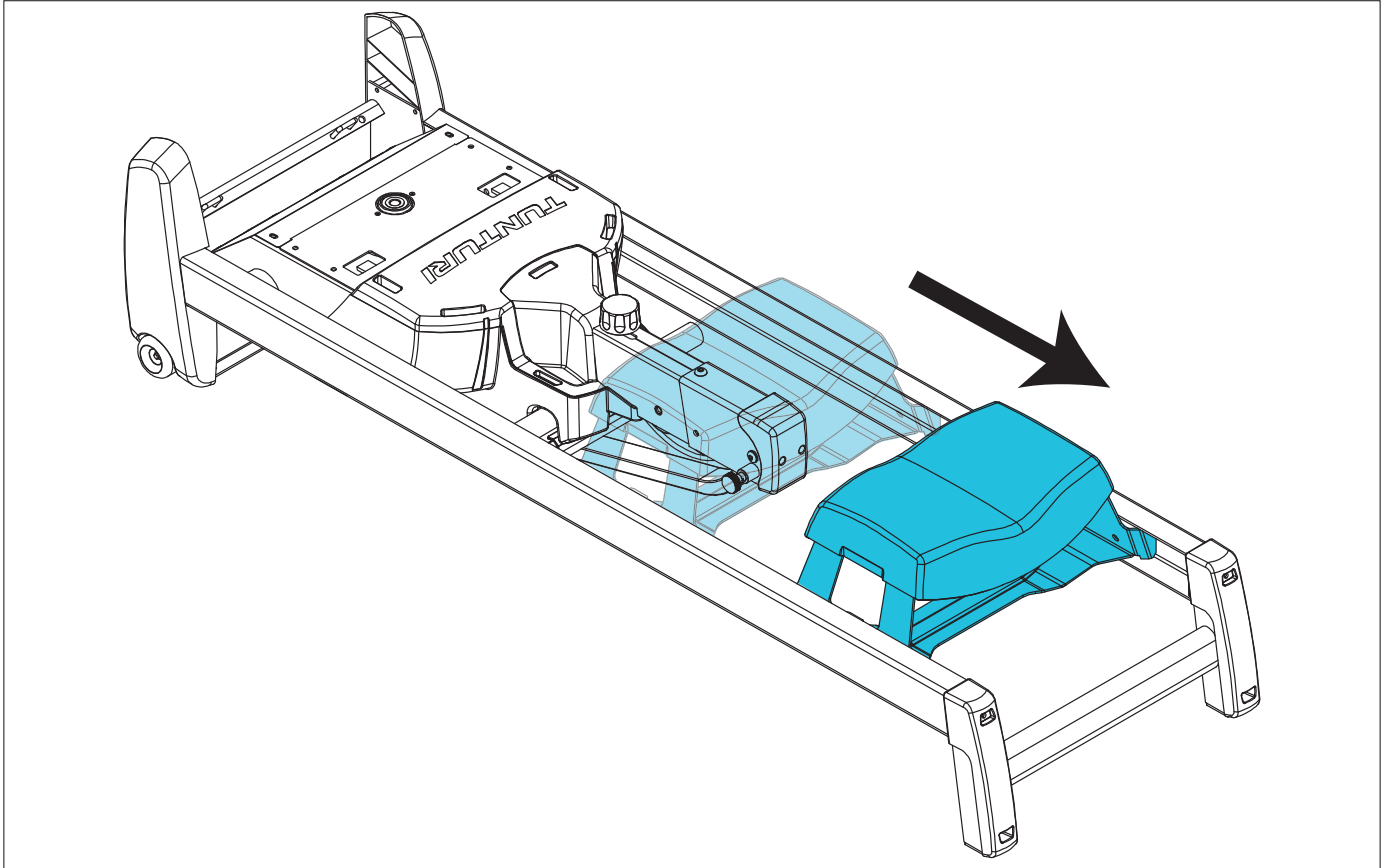
A



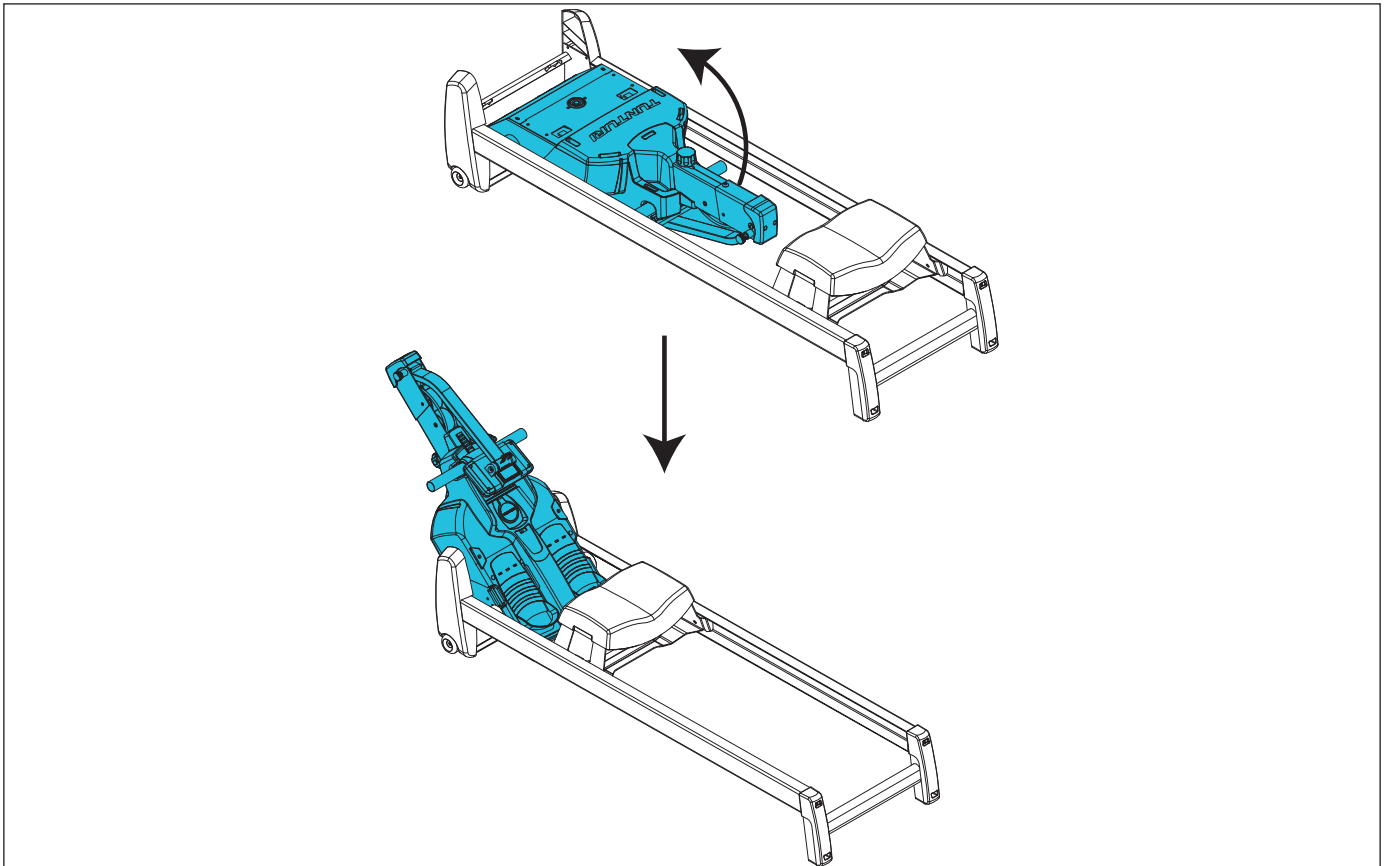
B-0



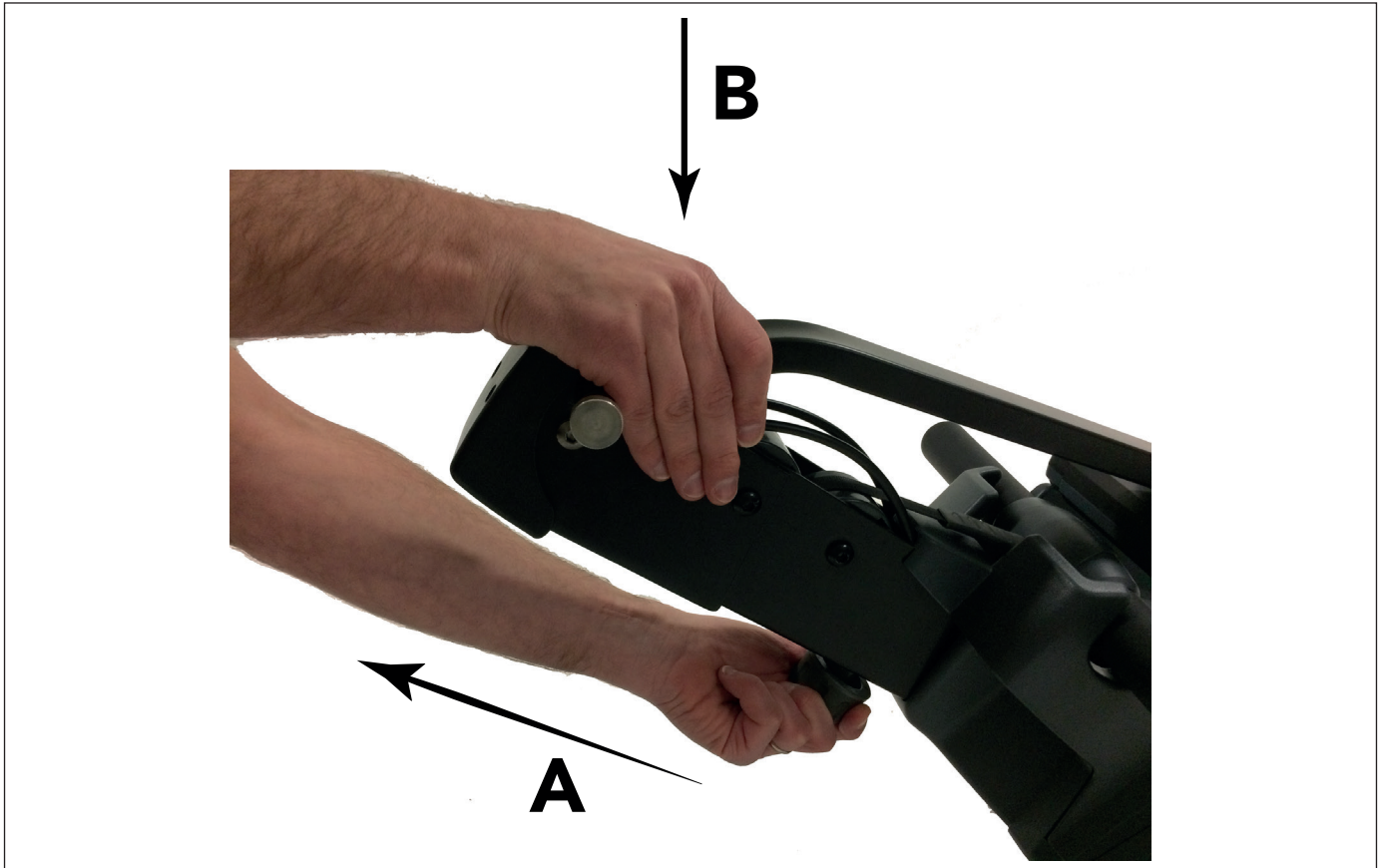
B-1



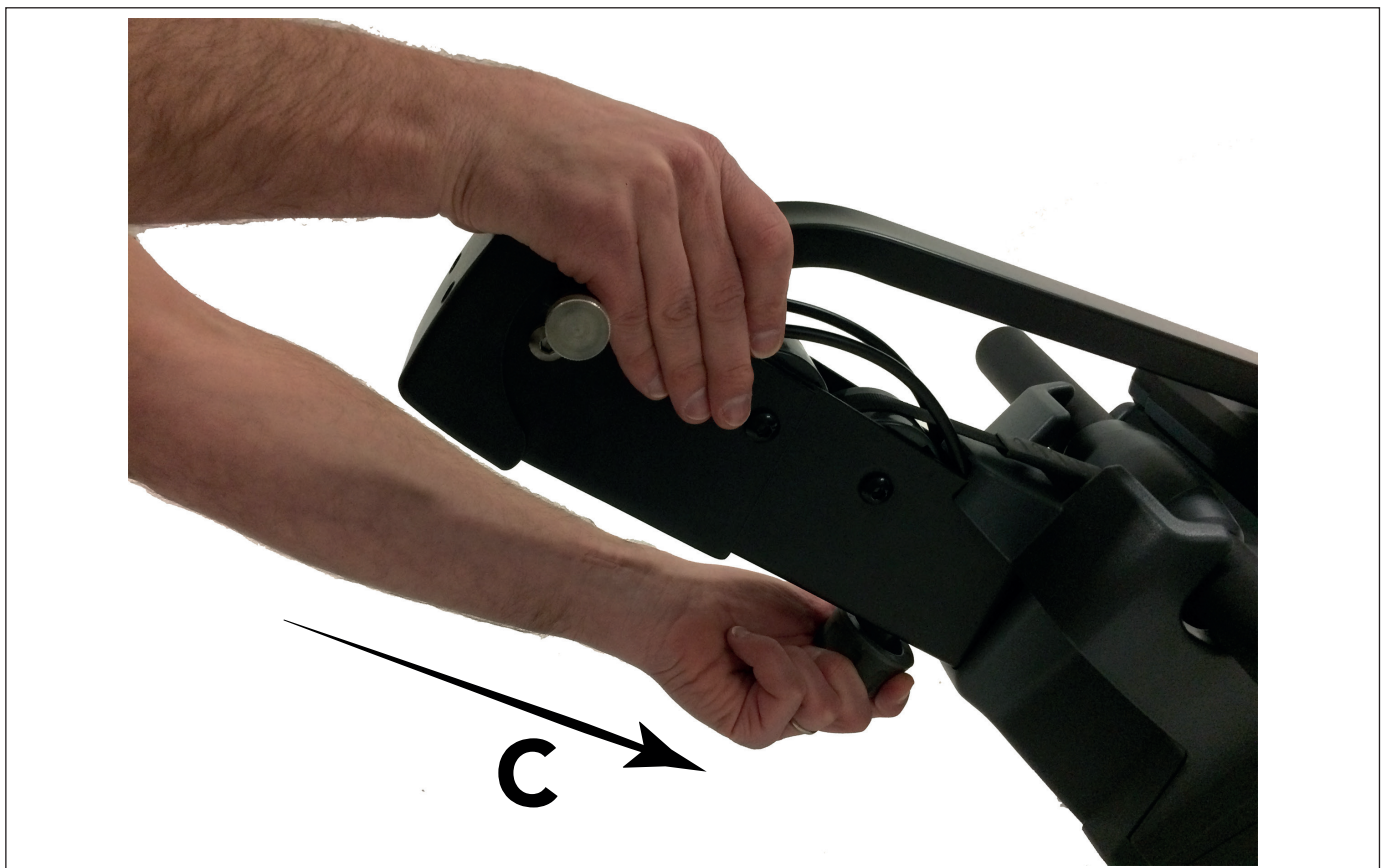
B-2



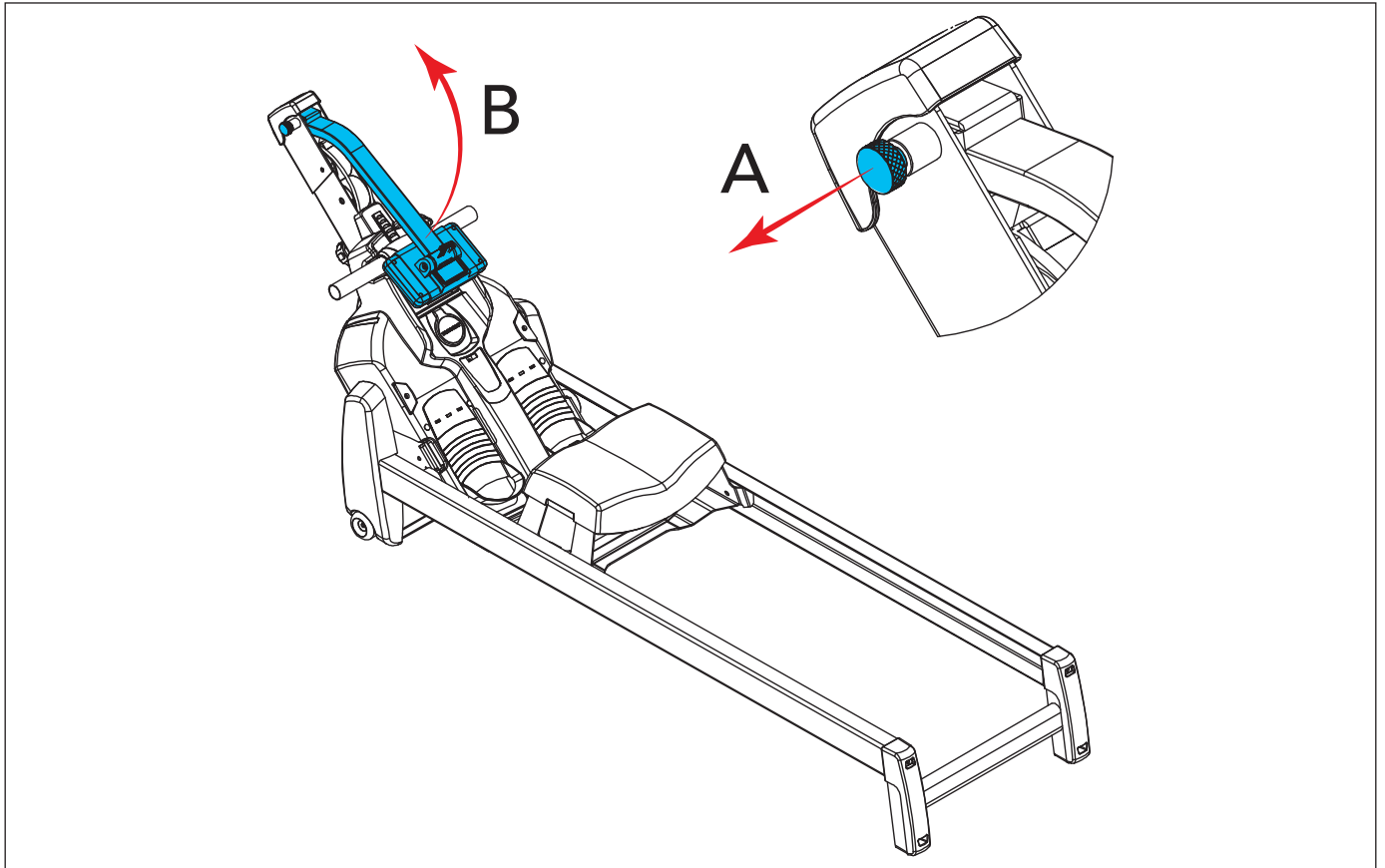
B-3A



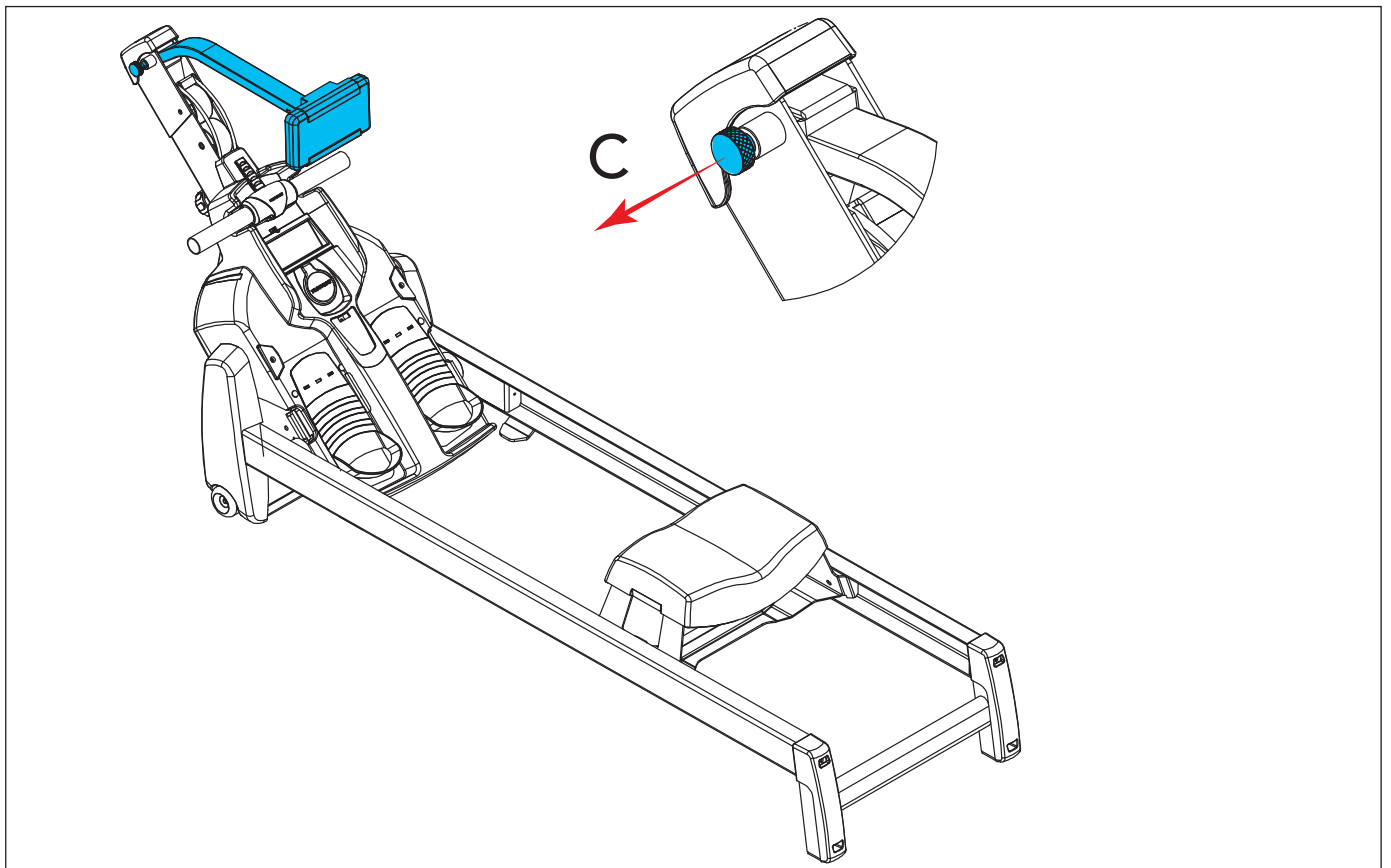
B3B



B-4A



B-4B



C



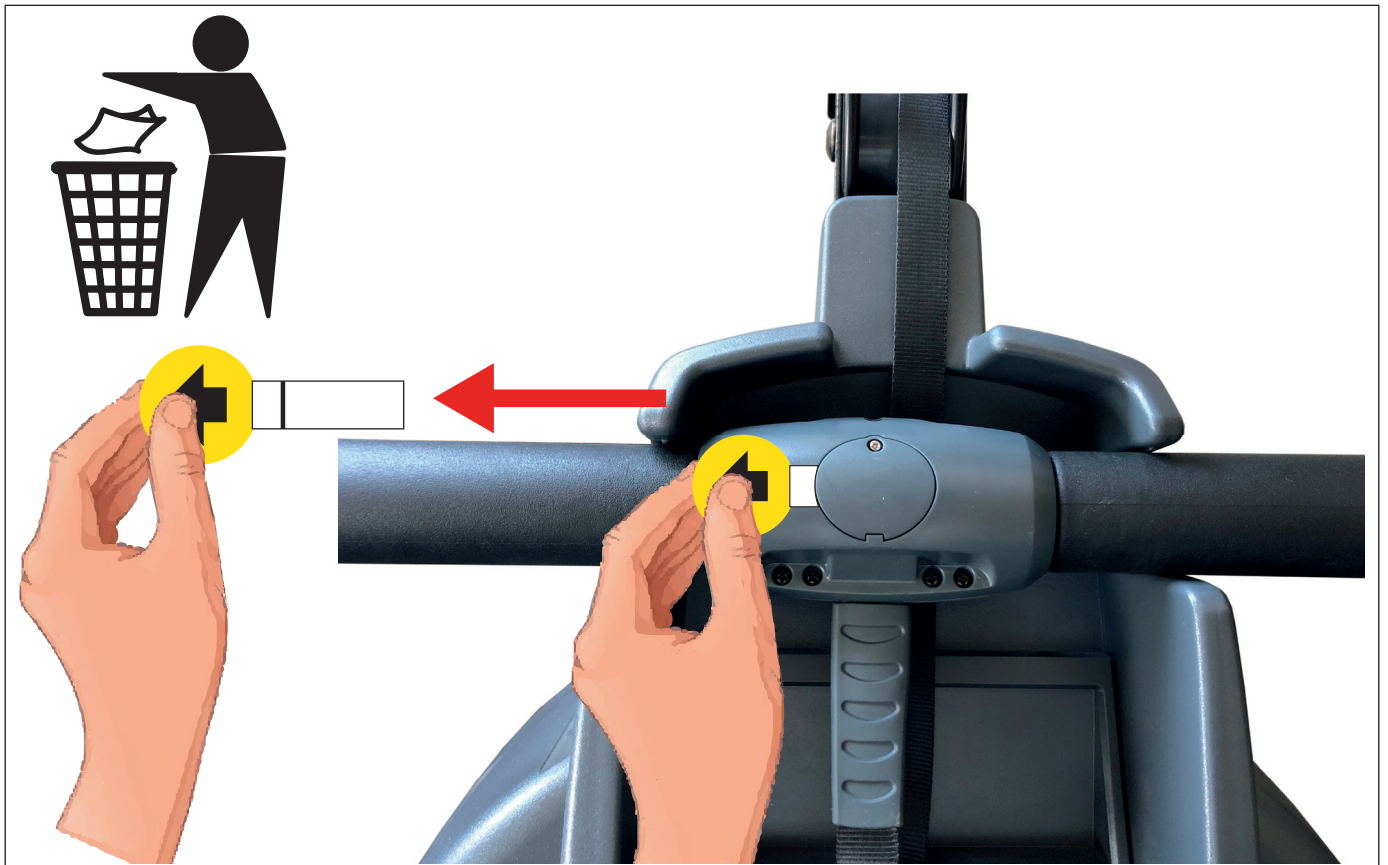
D-1



D-2



E



Index

Rower	9
Safety warnings	9
Electrical safety	9
Assembly instructions	10
Description	10
Assembly (fig. B)	10
Power supply (fig. C)	10
Prepare hand grip control (fig. E)	10
Workouts	10
Exercise Instructions	10
Heart rate	10
Use	11
How to row	11
Console (fig. D-1)	12
Explanation Display functions	12
Explanation of buttons	12
Operation	12
Programs	12
Bluetooth & APP	13
Cleaning and maintenance	13
Troubleshooting	14
Remote control does not work	14
Squeaking rollers	14
Transport and storage	14
Additional information	15
Technical data	15
Warranty	15
Declaration of the manufacturer	15
Disclaimer	15

Rower

Welcome to the world of Tunturi New Fitness!
Thank you for purchasing this piece of Tunturi equipment.
Tunturi offers a wide range of home fitness equipment, including cross trainers, treadmills, exercise bikes and rowers. The Tunturi equipment is suitable for the entire family, no matter what fitness level. For more information, please visit our website www.tunturi.com

Important Safety Instructions

This Owner's Manual is an essential part of your training equipment: reading all instructions in this manual before you start using this appliance. The following precautions must always be followed:

Safety warnings

⚠ WARNING

- Read the safety warnings and the instructions. Failure to follow the safety warnings and the instructions can cause personal injury or damage to the equipment. Keep the safety warnings and the instructions for future reference.
- The equipment is suitable for domestic use only. The equipment is not suitable for commercial use.
- Max. usage is limited to 5 hrs a day.
- The use of this equipment by children or persons with a physical, sensory, mental or motorial disability, or lack of experience and knowledge can give cause to hazards. Persons responsible for their safety must give explicit instructions or supervise the use of the equipment.

- Before starting your workout, consult a physician to check your health.
- If you experience nausea, dizziness or other abnormal symptoms, immediately stop your workout and consult a physician.
- To avoid muscular pain and strain, start each workout by warming up and finish each workout by cooling down. Remember to stretch at the end of the workout.
- The equipment is suitable for indoor use only. The equipment is not suitable for outdoor use.
- Only use the equipment in environments with adequate ventilation. Do not use the equipment in draughty environments in order not to catch a cold.
- Only use the equipment in environments with ambient temperatures between 10 °C and 35 °C. Only store the equipment in environments with ambient temperatures between 5 °C and 45 °C.
- Do not use or store the equipment in humid surroundings. The air humidity must never be more than 80%.
- Only use the equipment for its intended purpose. Do not use the equipment for other purposes than described in the manual.
- Do not use the equipment if any part is damaged or defective. If a part is damaged or defective, contact your dealer.
- Keep your hands, feet and other body parts away from the moving parts.
- Keep your hair away from the moving parts.
- Wear appropriate clothing and shoes.
- Keep clothing, jewellery and other objects away from the moving parts.
- Make sure that only one person uses the equipment at a time. The equipment must not be used by persons weighing more than 135 kg (300 lbs).
- Do not open equipment without consulting your dealer.

Electrical safety

(Only for equipment with electric power)

- Before use, always check that the mains voltage is the same as the voltage on the rating plate of the equipment.
- Do not use an extension cable.
- Keep the mains cable away from heat, oil and sharp edges.
- Do not alter or modify the mains cable or the mains plug.
- Do not use the equipment if the mains cable or the mains plug is damaged or defective. If the mains cable or the mains plug is damaged or defective, contact your dealer.
- Always fully unwind the mains cable.
- Do not run the mains cable underneath the equipment. Do not run the mains cable underneath a carpet. Do not place any objects on the mains cable.
- Make sure that the mains cable does not hang over the edge of a table.
- Make sure that the mains cable cannot be caught accidentally or tripped over.
- Do not leave the equipment unattended when the mains plug is inserted into the wall socket.
- Do not pull the mains cable to remove the mains plug from the wall socket.
- Remove the mains plug from the wall socket when the equipment is not in use, before assembly or disassembly and before cleaning and maintenance.

Assembly instructions

Description

Your rower is a piece of stationary fitness equipment used to simulate rowing without causing excessive pressure to the joints.

Assembly (fig. B)

⚠ WARNING

- If a part is missing, contact your dealer.
- Carry and move the equipment with at least two persons.

⚠ CAUTION

- Place the equipment on a firm, level surface.
 - Place the equipment on a protective base to prevent damage to the floor surface.
 - Allow at least 100 cm of clearance around the equipment.
- The rowing machine is shipped in the locked storage position.
 - Push the front tube folded on the frame up and forward.
 - Pull the locking pin up and press the front frame downward simultaneously by the pulley wheel cover.
 - Release the locking pin and ensure that the front frame is in locked forward position.
 - Always tighten the locking pin before you begin to exercise.

Adjust the console so that it is in an appropriate angle for exercise.

Power supply (fig. C)

The trainer is powered by an external power supply.

🔌 NOTE

- Connect the power supply with the trainer before connecting it to the wall outlet.
- Always remove power cord when machine is not in use.

Prepare hand grip control (fig. E)

To avoid battery drainage during transport and storage we have applied a battery insulation strip in the hand grip control unit. This needs to be pulled out, in a careful yet smooth movement, prior to use hand grip controls.

Workouts

The workout must be suitably light, but of long duration. Aerobic exercise is based on improving the body's maximum oxygen uptake, which in turn improves endurance and fitness. You should perspire, but you should not get out of breath during the workout.

To reach and maintain a basic fitness level, exercise at least three times a week, 30 minutes at a time. Increase the number of exercise sessions to improve your fitness level. It is worthwhile to combine regular exercise with a healthy diet. A person committed to dieting should exercise daily, at first 30 minutes or less at a time, gradually increasing the daily workout time to one hour. Start your workout at low speed and low resistance to prevent the cardiovascular system from being subjected to excessive strain.

As the fitness level improves, speed and resistance can be increased gradually. The efficiency of your exercise can be measured by monitoring your heart rate and your pulse rate.

Exercise Instructions

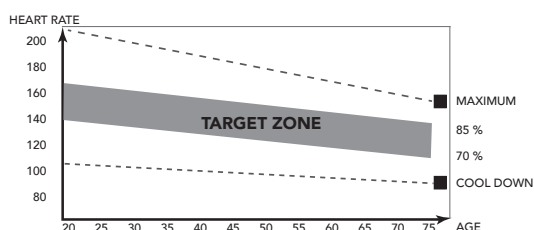
Using your fitness trainer will provide you with several benefits, it will improve your physical fitness, tone muscle and in conjunction with a calorie controlled diet help you lose weight.

The warming up phase

This stage helps get the blood flowing around the body and the muscles working properly. It will also reduce the risk of cramp and muscle injury. It is advisable to do a few stretching exercises as shown below. Each stretch should be held for approximately 30 seconds, do not force or jerk your muscles into a stretch - if it hurts, STOP

The exercise phase

This is the stage where you put the effort in. After regular use, the muscles in your legs will become more flexible. Work to your but it is very important to maintain a steady tempo throughout. The rate of work should be sufficient to raise your heart beat into the target zone shown on the graph below.



This stage should last for a minimum of 12 minutes though most people start at about 15-20 minutes

The cool down phase

This stage is to let your Cardiovascular System and muscles wind down. This is a repeat of the warm up exercise e.g. reduce your tempo, continue for approximately 5 minutes. The stretching exercises should now be repeated, again remembering not to force or jerk your muscles into the stretch. As you get fitter you may need to train longer and harder. It is advisable to train at least three times a week, and if possible space your workouts evenly throughout the week.

Muscle toning

To tone muscle while on your fitness trainer you will need to have the resistance set quite high. This will put more strain on our leg muscles and may mean you cannot train for as long as you would like. If you are also trying to improve your fitness you need to alter your training program. You should train as normal during the warm up and cool down phases, but towards the end of the exercise phase you should increase resistance making your legs work harder. You will have to reduce your speed to keep your heart rate in the target zone.

Weight loss

The important factor here is the amount of effort you put in. The harder and longer you work the more calories you will burn. Effectively this is the same as if you were training to improve your fitness, the difference is the goal.

Heart rate

Heart rate measurement (heart rate chest belt)

The most accurate heart rate measurement is achieved with a heart rate chest belt. The heart rate is measured by a heart rate receiver in combination with a heart rate transmitter belt. Accurate heart rate measurement requires that the electrodes on the transmitter belt are slightly moist and constantly touching the skin. If the electrodes are too dry or too moist, the heart rate measurement will become less

accurate.

⚠ WARNING

- If you have a pacemaker, consult a physician before using a heartrate chest belt.

⚠ CAUTION

- If there are several heart rate measurement devices next to each other, make sure that the distance between them is at least 1.5 metres.
- If there is only one heart rate receiver and several heart rate transmitters, make sure that only one person with a transmitter is within transmission range.

📌 NOTE

- Always wear the heart rate chest belt under your clothes directly in contact with your skin. Do not wear the heart rate chest belt above your clothes. If you wear the heart rate chest belt above your clothes, there will be no signal.
- If you set a heart rate limit for your workout, an alarm will sound when it is exceeded.
- The transmitter transmits the heart rate to the console up to a distance of 1 metre. If the electrodes are not moist, the heart rate will not appear on the display.
- Some fibers in clothes (e.g. polyester, polyamide) create static electricity which can prevent accurate heart rate measurement.
- Mobile phones, televisions and other electrical appliances create an electromagnetic field which can prevent accurate heart rate measurement.

Maximum heart rate (during training)

The maximum heart rate is the highest heart rate a person can safely achieve through exercise stress. The following formula is used to calculate the average maximum heart rate: $220 - AGE$. The maximum heart rate varies from person to person.

⚠ WARNING

- Make sure that you do not exceed your maximum heart rate during your workout. If you belong to a risk group, consult a physician.

Beginner

50-60% of maximum heart rate

Suitable for beginners, weight-watchers, convalescents and persons who have not exercised for a long time. Exercise at least three times a week, 30 minutes at a time.

Advanced

60-70% of maximum heart rate

Suitable for persons who want to improve and maintain fitness. Exercise at least three times a week, 30 minutes at a time.






Expert

70-80% of maximum heart rate

Suitable for the fittest of persons who are used to long-endurance workouts.

Use

How to row

	Catch Comfortably forward with straight back and arms.
	Drive Push with the legs while arms remain straight.
	Finish Pull through with arms and legs rocking slightly back on your pelvis.
	Recovery Upper body tips forward over your pelvis and move forward.
	Catch Back to the starting position and begin again.

Catch - Drive

Begin the stroke comfortably in forward position and push strongly back with your legs while keeping your arms and back straight.

Finish

Begin to pull your arms back as they pass over your knees and continue the stroke through to completion rocking slightly back over your pelvis.

Recovery - Catch

Return to the starting position and repeat.

Console (fig. D-1)



⚠ CAUTION

- Keep the console away from direct sunlight.
- Dry the surface of the console when it is covered with drops of sweat.
- Do not lean on the console.

📌 NOTE

- The console switches to standby mode when the equipment is not used for 4 minutes. If the console is in standby mode, the display shows the room temperature

Explanation Display functions

Time/ 500m

- Shows the time needed to run a 500 meter distance workout, based on the current rowing intensity.
- Range: 0 ~ 99:00 min.

SPM

- SPM is Strokes Per Minute and is showing the average Strokes per minute during workout.
- Range: 0 ~ 999 SPM.

Distance M

- Without setting the target value, distance will count up.
- When setting the target value, distance will count down from your target distance to 0 with an alarm sound or flash.
- Range: 0 ~ 99999 M. (± 100M.)

Time

- Without setting the target value, time will count up.
- When setting the target value, time will count down from your target time to 0 and alarm will sound or flash.
- Time will continue counting up if training is not stopped after goal is reached.
- Without any signal being transmitted into the monitor for 4 seconds during workout, time will STOP
- Range: 0:00 ~ 99:59.

Strokes

- Displays the number of strokes for the active workout.
- Range: 0 ~ 99999 /± 1 strokes.

Calories

- Without setting the target value, calorie will count up.
- When setting the target value, calories will count down from your target calorie to 0 with an alarm sound or flash.
- Calories will continue counting up if training is not stopped after goal is reached.
- Automatically accumulates calories burnt when exercising.
- Range: 0 ~ 9999 K.Calories.

📌 NOTE

- This data is a rough guide for comparison of different exercise sessions which cannot be used in medical treatment.

Pulse

- Current pulse will display after 6 seconds when detected by the console.
- Without any pulse signal for 6 seconds, console will display "P".
- Pulse alarm will sound when current pulse is over the target pulse.
- Range: 0-30 ~ 230 BPM

WATTS

- Display current workout watts.
- Range 0 ~ 999

Load

- Shows tension level setting, when adjusting resistance, for 3 seconds.
- Range: 1 ~ 16

Explanation of buttons

Reset

- In setting mode, press RESET key once to reset the current function figures.
- Press RESET key and hold for 2 seconds to reset all function figures

Start/ Stop

- Start or Stop (pause) workout.

Recovery

- After the console detects pulse signal, press the RECOVERY key to enter recovery mode to monitor heart rate recovery ability

Up

- Increase resistance level during workout.
- Setting selection.

Mode

- Confirm setting or selection.

Down

- Decrease resistance level during workout.
- Setting selection.

Operation

Power on

- Plug in power supply to power on computer.
- Press any key to power on the console when being in sleep mode..
- Start pedalling to power on the console when being in sleep mode.

Power off

- Without any signal being transmitted into the monitor for 4 minutes the monitor will enter SLEEP mode automatically.
- Unplug power supply to power off computer directly.

Programs

Quick start

- Press "START/ STOP" key to start your workout without any pre-set setting.
- Use "UP/ DOWN" to adjust resistant level during workout.

End your workout

- Press "START/ STOP" in workout mode to stop/ pause your workout.
To resume your workout press "START/ STOP" button in pause mode.
- Press "RESET" key to reset console. (Active training data will be lost)

Manual mode

- Use "UP/ DOWN" key to select workout program, choose MANUAL mode and press "MODE" key to enter next setting entry for manual mode program.
- Use "UP/ DOWN" key to pre-set training time, and press "MODE" to confirm the setting.
- After confirm you can set also: Calories, and Pulse limit.

NOTE

- When setting more than one goal, the training will end at first achieved goal.
 - Leave a goal blank and it will not be seen as a pre-set limit.
 - It is not possible to set a Time and Distance goal together for a training.
 - Pulse is not a training ending limit, a beep sound will be heard when exceeding the pre set PULSE limit constantly.
- Press "START/ STOP" key to start workout
 - Use "UP/ DOWN" key to adjust resistance level. Load level is shown in LOAD window.

Program (Fig. F)

- Use "UP/ DOWN" key to select PROGRAM mode, and confirm with "MODE" button.
- Use "UP/ DOWN" key to select a training program, press "MODE" to confirm.
- Use "UP/ DOWN" key to set time, press "MODE" to confirm.
- Press START/ STOP key to start workout
- Use "UP/ DOWN" key to adjust resistance level.

H.R.C. mode.

- Use "UP/ DOWN" key to select workout program, choose H.R.C., press "MODE" to confirm.
- Use "UP/ DOWN" key to set age.
- Use "UP/ DOWN" key to select 55%, 75%, 90%, TA.
 $55\% = (220 - \text{age}) \times 55\%$, $75\% = (220 - \text{age}) \times 75\%$
 $90\% = (220 - \text{age}) \times 90\%$, TA = Target (Default = 100) Use "UP/ DOWN" buttons to set target value.
 Press "MODE" to confirm.
- Use "UP/ DOWN" key to set time, press MODE to confirm.
- Press START/ STOP key to start workout
- Use RESET, to go back to main menu.

Race Mode.

- Use "UP/ DOWN" key to select workout program, choose RACE, press "MODE" to confirm.
- Use "UP/ DOWN" key to set "Strokes per minute" for the computer simulator (Range 10~95 \pm 5), press "MODE" to confirm.
- Use "UP/ DOWN" key to set finish distance (Range 100~9900 meters \pm 100), press "MODE" to confirm.
- Press "START/ STOP" button to start the race function.

NOTE

- Training will end, when PC or you (U)player has reached the end first.

User

- Use "UP/ DOWN" key to select workout program, choose User, press "MODE" to confirm.
- Use "UP/ DOWN" key to set tension level for the first profile segment. (Range 1~16), press "MODE" to confirm.
- Repeat this step for all other segments too.
- When full profile is programmed, press and hold "MODE" for 2 seconds button to confirm.
- Use "UP/ DOWN" key to set time, press MODE to confirm.
- Press START/ STOP key to start workout.
- Use RESET, to go back to main menu.

Recovery

- The RECOVERY key will only be valid if pulse is detected.
- TIME will show „0:60" (seconds) and counts down to 0.
- Computer will show F1 to F6 after the countdown to test heart rate recovery status. User can find the heart rate recovery level based on the chart below.
- Press RECOVERY key again to return to the former display.

F1	Outstanding
F2	Excellent
F3	Good
F4	Fair
F5	Below average
F6	Poor

Trouble shooting:

- If there is no signal when you pedal, please check if the cable is well connected.

NOTE

- When stop training for 4 minutes, the main screen will be off.
- If the computer displays abnormally, please re-install the transformer and try again.

Bluetooth & APP

- This console can connect with an APP on a smart device by Bluetooth (iOS & Android).
- Establish the Bluetooth connection only via the connection mode on the installed APP on your smart device.
- When the bluetooth connection between APP and console is established the console display will be dimmed.

NOTE

- Tunturi only provides the option to connect your fitness console throughout a blue tooth connection. Therefore Tunturi cannot be held responsible for damage, or malfunctioning of products other than Tunturi products.
- Check the website for extra information.

Cleaning and maintenance

The equipment does not require special maintenance. The equipment does not require recalibration when it is assembled, used and serviced according to the instructions.

WARNING

- Do not use solvents to clean the equipment.
- Clean the equipment with a soft, absorbent cloth after each use.
- Regularly check that all screws and nuts are tight.
- If necessary, lubricate the joints.
- Clean the inner surfaces of the rail if necessary so that the seat moves as smoothly and quietly as possible. If necessary, you

may improve the seat movement by adding paraffin to the surface of the rails..

Troubleshooting

Despite continuous quality control, defects and malfunctions caused by individual components may occur in the equipment. In most cases it's unnecessary to take the whole device in for repair, as it's usually sufficient to replace the defective part.

If the equipment does not function properly during use, contact your Tunturi dealer immediately. Always give the model and serial number of your equipment. Please state also the nature of the problem, conditions of use and purchase date.

If you require spare parts, always give the model, serial number of your equipment and the spare part number for the part you need. The spare part list is at the back of this manual. Use only spare parts mentioned in the spare part list.

Remote control does not work

When the remote control integrated in the handlebar does not work anymore it is probably not paired anymore.

To re-establish the connection between your handlebar control unit and your display the handlebar must be powered by battery power first prior to the rower console. Therefore:

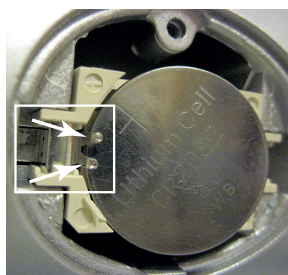
1. Unplug the rowing machine's transformer.
2. Open the battery house on the back side of the handlebar and take out the handlebar's CR2032 battery. (wait for 2 seconds)
3. Reinstall the CR2032 battery, and close it's back cover again.
4. Plug in the rowing machine's transformer, and wait at least 10 seconds (if not wait 10 sec. the procedure will fail).
5. Try if it can work, by pressing start key on display and use UP/ Down keys on remote to see if this can adjust the tension level.

This should re-establish the connection again.

When the remote control integrated in the hand grip bar does not work still, it is most likely that the battery in the hand grip bar ran out of power. Replace the CR2032 cell battery for a new one.

NOTE

- When installing the CR2032 battery, make sure you insert it correctly to avoid the polarity of the battery is incorrect.
- Make sure the metal hook is over the battery as shown in the picture.
- Polarity: - face down & + face Up



Squeaking rollers

- When sliding wheels are making noise during sliding movement, apply 2cc. of lubricant on each protruding rail surface immediately.

CAUTION

- We recommend to use a silicon based lubricant.
- Do not apply too much lubricant or wipe off redundant lubricant with a clean cloth as too much lubricant can cause carpet stain or dirt particle.

Transport and storage

WARNING

- Carry and move the equipment with at least two persons.
- Remain standing in front of the equipment on each side and take a sturdy grip at the handlebars. Tilt the front of the equipment so as to lift the rear of the equipment on the wheels. Move the equipment and carefully put the equipment down. Place the equipment on a protective base to prevent damage to the floor surface.
- Move the equipment carefully over uneven surfaces. Do not move the equipment upstairs using the wheels, but carry the equipment by the handlebars.
- Store the equipment in a dry place with as little temperature variation as possible.

Folding

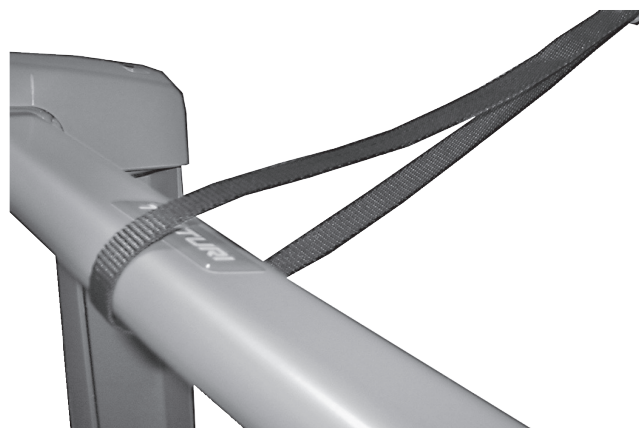
- Loosen the locking pin under the front frame, press the front frame downward slightly and pull the locking pin upward.
- Open the latch on the left hand side by pressing the tab to the side. Lift the front frame up at the same time.



- Lower the front frame carefully in between the rails. Ensure that the front frame is locked.
- Grasp the cross bar at the back of the rowing machine and lift the device to an upright position so that it is supported by the front end support legs.

NOTE

- Store the rowing machine in the storage position against a wall in such a way that the front frame cannot fall on anyone by accident.



CAUTION

- The device is shipped with a loop and a hook for securing the rowing machine properly in the storage position.

Choose an appropriate storage site for your rowing machine next to a wall and attach the hook tightly to the wall at the right height. Lift the rowing machine to the storage position in front of the hook. Thread the loop provided with the rowing machine around the cross bar and attach the loop to the hook. Do not climb on the rowing machine when it is in storage position!

Additional information

Packaging disposal

Government guidelines ask that we reduce the amount of waste material disposed of in land fill sites. We therefore ask that you dispose of all packaging waste responsibly at public recycling centres.

End of life disposal

We at Tunturi hope you enjoy many years of enjoyable use from your fitness trainer. However, a time will come when your fitness trainer will come to the end of its useful life. Under 'European WEEE Legislation you are responsible for the appropriate disposal of your fitness trainer to a recognised public collection facility.

Technical data

Parameter	Unit of measurement	Value
Telemetric heart rate receiver	handgrip contact 5.3~ 5.4 KHz. Bluetooth (BLE) ANT+	<input checked="" type="checkbox"/> <input checked="" type="checkbox"/> <input checked="" type="checkbox"/> <input checked="" type="checkbox"/>
Length	cm inch	197 77,6
Width	cm inch	50 19.7
Height	cm inch	66 26
Weight	kg lbs	46.4 102.3
Max. user weight	kg lbs	135 300
Adapter Voltage Current	V Ma.	9V-DC 1,5 A.

Warranty

Warranty terms

The consumer is entitled to the applicable legal rights stated in the national legislation concerning the commerce of consumer goods. This warranty does not restrict these rights. The Purchaser's Warranty is only valid if the item is used in an environment approved by Tunturi New Fitness BV for that particular equipment. The product-specific approved environment is stated in the Owner's Manual provided with your equipment.

Warranty conditions

The warranty conditions commence from the date of purchase. Warranty conditions may vary per country, so please consult your local dealer for the warranty conditions.

Warranty coverage

Under no circumstances shall Tunturi New Fitness BV or the Tunturi Distributor be liable by virtue of this warranty or otherwise for any special, indirect, secondary or consequential damages of any nature arising out of any use or inability to use this equipment.

Warranty limitations

This warranty covers manufacturing defects in the fitness equipment as originally packed by Tunturi New Fitness BV. The warranty shall apply only under conditions of normal, recommended use of the product as described in the Owner's Manual and providing that Tunturi New Fitness BV's instructions for installation, maintenance and use have been complied with. Neither Tunturi New Fitness BV's nor the Tunturi Distributors' obligations apply to defects due to reasons beyond their control. The warranty applies only to the original purchaser and is valid only in countries where Tunturi New Fitness BV has an authorised importer. The warranty does not extend to fitness equipment or components that have been modified without the consent of Tunturi New Fitness BV. Defects resulting from normal wear, misuse, abuse, corrosion, or damage incurred during loading or transportation are not covered.

The warranty does not cover sounds or noises emitted during use where these do not substantially impede the use of the equipment and where they are not caused by a fault in the equipment. The warranty does not cover defects arising from the failure to carry periodic maintenance as outlined within the Owner's Manual for the product. Furthermore, the warranty does not cover defects arising from usage and storage within an unsuitable environment as described within the Owner's Manual which should be indoors, dry, dust and grit free and within a temperature range of +15°C to +35°C. The warranty does not cover maintenance activities, such as cleaning, lubricating, and normal part adjustments, nor installation procedures that customers can accomplish themselves, such as changing uncomplicated meters, pedals and other similar parts not requiring any dismantling/reassembling of the fitness equipment. Warranty repairs carried out by other than authorised Tunturi representatives are not covered. Failure to follow the instructions given in the Owner's Manual will invalidate the product's warranty.

Declaration of the manufacturer

Tunturi New Fitness BV declares that the product is in conformity with the following standards and directives: EN 957 (HB), 2014/30/EU. The product therefore carries the CE label.

07-2020

Tunturi New Fitness BV
Purmerweg 1
1311 XE Almere
The Netherlands

Disclaimer

© 2020 Tunturi New Fitness BV
All rights reserved.

- The product and the manual are subject to change.
- Specifications can be changed without further notice.
- Check our website for the latest user manual version.

På svenska

Denna handbok är en översättning av den engelska texten. Vi förbehåller oss rätten till eventuella översättningsfel. Den engelska originaltexten råder.

Index

Roddmaskin	56
Säkerhetsvarningar	56
Elsäkerhet	56
Monteringsanvisningar	57
Beskrivning	57
Montering (Fig. B)	57
Strömförsörjning (fig. C)	57
Förbered handtagskontroll (fig. E)	57
Träning	57
Övning Instruktioner	57
Hjärtfrekvens	58
Användning	58
Hur man rör	58
Panel (Fig. D-1)	59
Förklaring av displayfunktioner	59
Manövrering	59
Förklaring till manöverknappar	59
Operation [Drift]	60
Programs [Program]	60
Bluetooth & APP	61
Rengöring och underhåll	61
Störningar Vid Användning	61
Fjärrkontrollen fungerar inte	61
Knika rullar	61
Transport och lagring	61
Ytterligare information	62
Teknisk information	62
Garanti	62
Försäkran från tillverkaren	63
Friskrivning	63

Roddmaskin

Välkommen till Tunturi Fitness värld!

Tack för att du köpte denna utrustning från Tunturi. Tunturi erbjuder ett stort utbud av professionell träningsutrustning, exempelvis crosstrainers, löpband, träningscyklar och roddmaskiner. Utrustning från Tunturi passar hela familjen, oavsett träningsnivå. Mer information finns på vår webbplats, www.tunturi.com

Viktiga instruktioner om säkerhet

Läs noga igenom denna handbok innan du monterar,, använder eller reparerar ditt nya träningsredskap. Spara denna handbok; den innehåller information som du behöver nu och i framtiden för att använda och underhålla ditt redskap. Följ alltid dessa instruktioner noggrant.

Säkerhetsvarningar**⚠ VARNING**

- Läs säkerhetsvarningarna och instruktionerna. Om inte säkerhetsvarningarna och instruktionerna följs kan det medföra skador på personer eller utrustningen. Behåll säkerhetsvarningarna och instruktionerna för framtida bruk.

⚠ VARNING

- System för övervakning av hjärtfrekvensen är inte alltid exakta. Överträning kan medföra allvarlig skada eller död. Sluta omedelbart att träna om du känner dig svag.

- Utrustningen är endast anpassad för hemmabruk. Utrustningen är inte anpassad
- Maximal användning är begränsad till 5 timmar per dag.
- Om utrustningen används av barn eller personer med fysiska, sensoriska, mentala eller motoriska handikapp, eller som saknar erfarenhet och kunskap, kan detta medföra risker. Personer som är ansvariga för deras säkerhet måste ge tydliga instruktioner, eller övervaka användningen av utrustningen.
- Innan du påbörjar din träning, uppsök en läkare som kan kontrollera din hälsa.
- Om du upplever illamående, yrsel eller andra onormala symptom, avsluta genast din träning och kontakta en läkare.
- Börja varje träningspass med att värma upp och avsluta varje träningspass med nedvarning för att undvika muskelsmärter och sträckningar. Kom ihåg att stretcha i slutet av träningen.
- Utrustningen är endast anpassad för användning inomhus.
- Utrustningen är inte anpassad för användning utomhus.
- Använd endast utrustningen i miljöer med god ventilation. Använd inte utrustningen i dragiga miljöer för att undvika att bli förkyld.
- Använd endast utrustningen i miljöer med temperatur mellan 10 °C och 35 °C. Förvara endast utrustningen i miljöer med temperatur mellan 5 °C och 45 °C.
- Använd inte och förvara inte utrustningen i fuktig miljö. Luftfuktigheten får aldrig överstiga 80%.
- Använd endast utrustningen för dess avsedda ändamål. Använd inte utrustningen för andra ändamål än de som beskrivs i handboken.
- Använd inte den här utrustningen om någon del är trasig eller skadad. Om någon del är trasig eller skadad, kontakta din återförsäljare.
- Håll undan händer, fötter och andra kroppsdelar från de rörliga delarna.
- Håll undan håret från de rörliga delarna.
- Bär passande kläder och skor.
- Håll undan kläder, smycken och andra föremål från de rörliga delarna.
- Låt bara en person åt gången använda utrustningen. Utrustningen får inte användas av personer som väger mer än 135 kg (300 lbs).
- Öppna inte utrustningen utan att kontakta din återförsäljare.

Elsäkerhet

(endast elektrisk utrustning)

- Före användning, kontrollera alltid att nätspänningen är densamma som spänningen på utrustningens märkplåt.
- Använd inte en förlängningssladd.
- Håll strömkabeln borta från värme, olja och vassa kanter.
- Ändra inte strömkabeln eller kontakten.
- Använd inte utrustningen om strömkabeln eller kontakten är trasig eller skadad. Om strömkabeln eller kontakten är trasig eller skadad, kontakta din återförsäljare.

- Rulla alltid ut strömkabeln helt.
- Dra inte strömkabeln under utrustningen. Dra inte strömkabeln under en matta. Placera inte några föremål på strömkabeln.
- Kontrollera att strömkabeln inte hänger över en bordskant. Kontrollera att strömkabeln inte kan komma åt avsiktligt eller snubblas över.
- Lämna inte utrustningen obevakad med kontakten instoppad i vägguttaget.
- Dra inte i strömkabeln för att avlägsna kontakten från vägguttaget.
- Avlägsna stickkontakten från vägguttaget när utrustningen inte används, innan den monteras eller monteras isär och innan den rengörs eller underhålls.

Monteringsanvisningar

Beskrivning

Din roddmaskin är en stationär träningsmaskin som används för att simulera rodd utan att orsaka kraftigt tryck på lederna.

Montering (Fig. B)

⚠ VARNING

- Om någon del saknas, kontakta din återförsäljare..
- Var två om att bära och förflytta utrustningen.

⚠ OBS.

- Placera utrustningen på en stabil och jämn yta.
 - Placera utrustningen på en skyddande grund för att förhindra att golvet skadas.
 - Lämna åtminstone 100 cm fritt runt utrustningen.
- Roddmaskinen levereras i låst läge.
 - Skjut framröret på ramen uppåt och framåt.
 - Dra upp låspinnen och skjut samtidigt framröret neråt med draglinans skydd.
 - Lossa låspinnen och se till att framröret är låst i framåtläge.
 - Skruva alltid fast låspinnen innan du börjar använda redskapet.

Justera mätaren så att den befinner sig i rätt läge för träning.

Strömförsörjning (fig. C)

Träningsredskapet försörjs av en extern strömkälla. Illustrationen visar strömingången på träningsredskapet.

⚠ ANMÄRKNING

- Anslut strömförsörjningen till träningsredskapet innan det ansluts till vägguttaget.
- Dra alltid ut sladden när maskinen inte används.

Förbered handtagskontroll (fig. E)

För att undvika dränering av batteriet under transport och lagring har vi applicerat en batterisoleringslist i handtagsstyrenheten. Detta måste dras ut, i en försiktig men ändå smidig rörelse, innan du använder handtagskontroller.

Träning

Träningen måste vara lagom lätt, men hålla på länge. Aerobisk träning är till för att förbättra kroppens maximala syreupptag, vilket förbättrar uthålligheten och konditionen. Du ska svettas, men du ska inte bli andfådd under träningen. För att uppnå och behålla en grundkondition, träna åtminstone tre gånger i veckan, 30 minuter åt gången. Öka antalet träningspass för att förbättra din kondition. Det är bra att kombinera regelbunden träning med hälsosam kost. En person som har bestämt sig för att banta bör träna dagligen, 30 minuter eller mindre till en början och sedan öka den dagliga träningstiden till en timme. Börja din träning i låg hastighet och med lågt motstånd för att förhindra att hjärtkärlsystemet utsätts för kraftig belastning. När konditionen förbättras, kan hastigheten och motståndet ökas gradvis. Din tränings effektivitet kan mätas genom att kontrollera din hjärtfrekvens och din puls.

Övning Instruktioner

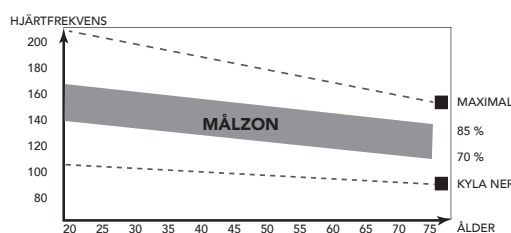
Användningen av ditt träningsredskap kommer att ge dig många fördelar; det kommer att förbättra din fysiska kondition, tona musklerna och tillsammans med en kalorikontrollerad diet hjälpa dig att gå ned i vikt.

Uppvärmningsfasen

Denna fas får blodet att börja pumpa runt i kroppen och förbereder musklerna på aktivitet. Den minskar även risken för kramp och muskelskada. Det är tillrådligt att göra några stretchövningar som visas nedan. Varje stretchövning ska hållas i ungefär 30 sekunder. Tvinga eller tryck inte in musklerna i en stretchövning. Om det gör ont, SLUTA

Träningsfasen

Detta är fasen där du jobbar. Efter regelbunden användning, kommer musklerna i dina ben att bli mer flexibla. I denna fas är det mycket viktigt att bibehålla ett jämnt tempo från början till slut. Ansträngningsnivån ska vara tillräcklig för att höja din puls till målzonen som visas i nedanstående figur



Denna fas bör pågå i minst 12 minuter, även om de flesta börjar med ungefär 15-20 minuter.

Nedvarvningsfasen

Under denna fas får ditt kardiovaskulära system och dina muskler varva ned. Den är en upprepning av uppvärmningsövningen, t.ex. minska ditt tempo, fortsatt i ca 5 minuter. Stretchövningarna ska nu upprepas. Kom ihåg att inte tvinga eller trycka in musklerna i stretchövningen.

När du blir mer vältränad, kan du träna längre och hårdare. Vi rekommenderar att träna minst tre gånger i veckan, och, om möjligt, fördela dina träningsstillfällen jämnt under hela veckan.

Muskeltoning

För att tona musklerna när du använder träningsredskapet, måste du ställa in en ganska hög belastning. Detta belastar benmusklerna mer och kan innebära att du inte kan träna så länge som du vill. Om du även försöker förbättra din kondition, måste du ändra ditt träningsprogram. Du bör träna som vanligt under uppvärmnings- och

nedvarningsfaserna, men mot slutet av träningsfasen kan du öka belastningen så att dina ben får jobba hårdare. Du måste minska hastigheten för att hålla pulsen i målzonen.

Viktminskning

Den viktigaste faktorn här är hur mycket du anstränger dig. Ju hårdare och längre du tränar, desto fler kalorier bränner du. Detta är i princip detsamma som om du tränade för att förbättra din kondition, skillnaden är målet.

Hjärtfrekvens

Hjärtfrekvensmätning pulsbalte)

Den mest exakta mätningen av hjärtfrekvensen uppnås med ett pulsbalte. Hjärtfrekvensen mäts av en hjärtfrekvensmottagare i kombination med ett pulsbalte med sändare. Korrekt pulsmätning kräver att elektroderna på sändarbältet är en aning fuktiga och i ständig kontakt med skinnet. Om elektroderna är för torra eller för fuktiga kan pulsmätningen bli mindre exakt.

⚠ VARNING

- Kontakta en läkare innan du använder ett pulsbalte om du har pacemaker.

⚠ OBS.

- Om det finns flera enheter för hjärtfrekvensmätning bredvid varandra, kontrollera att avståndet mellan dem är minst 2 meter.
- Om det bara finns en hjärtfrekvensmottagare och flera hjärtfrekvenssändare, kontrollera att bara en person med sändare är inom mottagningsområdet.

🗿 ANMÄRKNING

- Bär alltid pulsbaltet under dina kläder, i direktkontakt med huden. Bär inte pulsbaltet utanpå kläderna. Om du bär pulsbaltet utanpå kläderna kommer det inte att bli någon signal.
- Om du har ställt in en begränsning av hjärtfrekvensen för din träning, kommer ett larm att ljuda när den överskrids.
- Sändaren sänder hjärtfrekvensen till panelen upp till ett avstånd på 1,5 meter. Om elektroderna inte är fuktiga, kommer inte hjärtfrekvensen att visas på displayen.
- Vissa klädfibrer (t.ex. polyester eller polyamid) skapar statisk elektricitet som kan förhindra en korrekt mätning av hjärtfrekvensen.
- Mobiltelefoner, tv-apparater och andra elektriska apparater skapar ett elektromagnetiskt fält som kan förhindra en korrekt mätning av hjärtfrekvensen.

Maximal hjärtfrekvens under träning)

Den maximala hjärtfrekvensen är den högsta hjärtfrekvens en person säkert kan få vid träning. Följande formel används för att beräkna den genomsnittliga maximala hjärtfrekvensen: $220 - \text{ÅLDER}$. Den maximala hjärtfrekvensen varierar från person till person.

⚠ VARNING

- Kontrollera att du inte överskrider din maximala hjärtfrekvens under din träning. Kontakta en läkare om du tillhör en riskgrupp.

Nyborjarnivå

50-60% av den maximala hjärtfrekvensen

Passar nybörjare, viktvaktare, konvalescenter och personer som inte har tränat på länge. Träna åtminstone tre gånger i veckan, 30 minuter åt gången.

Avanceradnivå

60-70% av den maximala hjärtfrekvensen

Passar personer som vill förbättra och underhålla konditionen. Träna åtminstone tre gånger i veckan, 30 minuter åt gången.

Expert

70-80% av den maximala hjärtfrekvensen

Passar de mest vältränade, som är vana vid långa och tunga träningspass.

Användning

Hur man rör

	Hämta Böj framåt med raka armar och rak rygg..
	Uppstart Tryck ifrån med benen medan armarna fortsätter vara raka
	Avslut Dra bakåt med armarna och benen och gunga bakåt med höfterna..
	Retur Överkroppen fälls framåt över höfterna i en rörelse framåt.
	Hämta Återvänd till startpositionen och börja om med rörelsen

Hämta - Uppstart

Påbörja draget i främre position och tryck kraftigt bakåt med benen medan armarna och ryggen behålls raka.

Avslut

Börja att dra armarna bakåt när de passerat knäna och fortsatt med draget bakåt över höfterna.

Retur

Återvänd till startpositionen och återupprepa rörelsen

Panel (Fig. D-1)



⚠ OBS

- Skydda panelen från direkt solljus.
- Torka av panelens yta när den är täckt av svett droppar.
- Luta dig inte mot panelen.
- Vidrör endast displayen med din fingertopp. Var noga med att inte dina naglar eller vassa föremål vidrör displayen.

🔧 ANMÄRKNING

- Panelen övergår till viloläge när utrustningen inte har använts på 4 minuter.

Förklaring av displayfunktioner

Time/ 500m

- Visar tiden för att springa ett träningspass på 500 m, baserat på aktuell roddintensitet.
- Område: 0 ~ 99:00 min.

SPM

- "SPM" är Roddtag per minut och visar genomsnittligt antal roddtag per minut under träning.
- Displayintervall: 0 ~ 999

Avstånd M

- Om man inte ställer in ett målvärde, räknas avståndet uppåt.
- När målvärde ställs in, räknas avståndet neråt från ditt målvärde till 0, då larmsignal ljuder eller blinkar
- Intervall: 0 ~ 99999 M. (± 100M.)

Time [Tid]

- Utan att ställa in målvärde, räknas tiden uppåt.
- När målvärde ställs in, räknas tiden neråt från ditt målvärde till 0, då larmsignal ljuder eller blinkar.
- Tiden fortsätter att räkna upp om träningen inte stoppas efter att målet har uppnåtts.
- Om inte någon larmsignal under träningspasset skickas till manöverpanelen inom 4 sek, STOPPAS tiden.
- Område: 0:00 ~ 99:59.

Årtag

- Visar antalet slag för det aktiva träningspasset.
- Område: 0 ~ 99 999 /± 1 slag.

Calories [Kalorier]

- Om man inte ställer in ett målvärde, räknas kalorierna uppåt.
- När målvärde ställs in, räknas kalorierna neråt från din målkalorie till 0, då larmsignal ljuder eller blinkar.
- Kalorier fortsätter att räkna upp om träningen inte stoppas efter att målet har uppnåtts
- Ackumulerar automatiskt förbrända kalorier när du tränar.
- Område: 0 ~ 9 999 K.kalorier.

🔧 OBS

- Dessa uppgifter är en ungefärlig uppskattning för jämförelse av olika träningspass och kan inte användas vid medicinsk behandling.

Pulse [Puls]

- Aktuell puls visas efter 6 sek efter att manöverpanelen känt av den.
- Utan någon pulssignal i 6 sekunder visar konsolen "P".
- Pulsalarm hörs när den nuvarande pulsen ligger över målpulsen.
- Område: 0-30 ~ 230 BPM

WATT

- Visa aktuell träningswatt.
- Intervall 0 ~ 999

Belastning

- Visar i 3 sekunder inställd spänningsnivå vid justering av motstånd.
- Område: 1 ~ 16

Manövrering

Ström på

- Koppla in strömförsörjningen. Datoren kommer då att starta och visa allt på isplayen i två sekunder.
- Tryck på valfri knapp för att sätta på strömmen om enheten befinner sig i läget SLEEP.

Ställa in klockan

- Tryck på och håll ner knappen MODE och RESET i två sekunder för att återställa mätaren.
- Tryck på knappen UP eller DOWN för att ställa in klockan.

Förklaring till manöverknappar

Reset (Återställ)

- Tryck på RESET en gång i inställningsläge för att återställa aktuella funktionsparametrar.
- Tryck på RESET (ÅTERSTÄLL) och håll nere i 2 sek för att återställa alla funktionsparametrar

START/STOPP

- Starta eller stoppa (pausa) träning.

Recovery [Återställning]

- När konsolen har upptäckt pulssignal, trycker du på knappen RECOVERY (ÅTERSTÄLLNING) för att gå till återställningsläget och övervaka förmågan att återställa hjärtfrekvensen

Upp

- Öka motståndsnivån under träningen.
- Ställer in ditt val.

Mode [Läge]

- Bekräfta inställningen eller valet.

Ner

- Minska motståndsnivån under träningen.
- Ställer in ditt val.

Operation [Drift]

Power on [Starta]

- Anslut nättaggregatet för att starta datorn.
- Tryck på valfri knapp för att starta manöverpanelen efter stillestånd.
- Börja trampa för att väcka upp manöverpanelen.

Power off [Stäng av]

- Manöverpanelen ställs in automatiskt i STANDBY-läge, om inte någon signal getts inom 4 minuter.
- Koppla bort nättaggregatet för att stänga av datorn direkt.

Programs [Program]

Quick start [Snabbstart]

- Tryck på "START/STOP" (STARTA/STOPPA) för att starta din träning utan förinställda värden.
- Använd "UP/DOWN" (UPP/NER) för att justera motståndsnivån under träning.

Avsluta ditt träningspass

- Tryck på "START/STOP" (STARTA/STOPPA) i tävlingsläge för att stoppa/pausa ditt träningspass.
Tryck på START/STOP (STARTA/STOPPA) i pausläge för att fortsätta ditt träningspass.
- Tryck på "RESET" för att återställa konsolen. (Aktiva träningsdata kommer att förloras)

Manual mode [Manuellt läge]

- Använd knappen "UP/DOWN" (UPP/NER) för att välja träningsprogram, välj läget MANUAL (MANUELLT) och tryck på knappen "MODE" (LÄGE) för att gå till nästa inställningsalternativ för manuellt läge.
- Använd knappen "UP/DOWN" (UPP/NER) för att förinställa träningstid, och tryck på "MODE" (LÄGE) för att bekräfta inställningen.
- Efter bekräftelse kan du också ställa in: Kalorier och pulsgräns.

⚠ OBS

- När du ställer in fler än ett mål, stannar träningen av vid det först uppnådda målet.
 - Ställ in ett blankt mål och det uppfattas inte som ett förinställt mål.
 - Det är inte möjligt att sätta ett mål för tid och avstånd tillsammans för en träning.
 - Pulsens är inte en gräns för träningens slut. Ett pip hörs när den förinställda gränsen för PULSE (PULS) konstant överskrids.
- Tryck på "START/STOP" (STARTA/STOPPA) för att starta träningspasset.
 - Använd knappen "UP/DOWN" (UPP/NER) för att justera motståndsnivån. Belastningsnivå visas i fönstret LOAD (BELASTNING).

Program (bild F)

- Använd knappen "UP/DOWN" (UPP/NER) för att välja läget PROGRAM och bekräfta med knappen "MODE".
- Använd knappen "UP/DOWN" (UPP/NER) för att välja ett träningsprogram, OCH tryck på "MODE" (LÄGE) för att bekräfta.
- Använd knappen "UP/DOWN" (UPP/NER) för att ställa in tid, och tryck på "MODE" (LÄGE) för att bekräfta.
- Tryck på START/STOPP för att starta träningspasset.
- Använd knappen "UP/DOWN" (UPP/NER) för att justera motståndsnivån.

H.R.C.-läge.

- Använd knappen "UP/DOWN" (UPP/NER) för att välja ett

träningsprogram, välj H.R.C. och tryck på "MODE" (LÄGE) för att bekräfta.

- Använd knappen "UP/DOWN" (UPP/NER) för att ställa in ålder.
- Använd knappen "UP/DOWN" (UPP/NER) för att välja 55 %, 75 %, 90 %, TA.
 $55 \% = (220 - \text{ålder}) \times 55 \%$, $75 \% = (220 - \text{ålder}) \times 75 \%$
 $90 \% = (220 - \text{ålder}) \times 90 \%$, TA = Mål (Standard = 100) Använd knapparna "UP/DOWN" (UPP/NER) för att ställa in målvärdet.
Tryck på "MODE" (LÄGE) för att bekräfta.
- Använd knappen "UP/DOWN" (UPP/NER) för att ställa in tid, och tryck på "MODE" (LÄGE) för att bekräfta.
- Tryck på START/STOPP för att starta träningspasset.
- Använd RESET för att gå tillbaka till huvudmenyn.

Tävlingsläge.

- Använd knappen "UP/DOWN" (UPP/NER) för att välja ett träningsprogram, välj RACE (TÄVLING) och tryck på "MODE" (LÄGE) för att bekräfta.
- Använd knappen "UP/DOWN" (UPP/NER) för att ställa in "Slag per minut" för datasimulatorens intervall 10~95 ± 5), tryck på "MODE" (LÄGE) för att bekräfta.
- Använd knappen "UP/DOWN" (UPP/NER) för att ställa in slutavstånd (intervall 100~9 900 meter ± 100), och tryck på "MODE" (LÄGE) för att bekräfta.
- Tryck på "START/STOP" (STARTA/STOPPA) för att starta tävlingsfunktionen.

⚠ OBS

- Träningspasset avslutas, när datorn eller du själv (användaren/spelaren) har uppnått slutvärdet.

Användare

- Använd knappen "UP/DOWN" (UPP/NER) för att välja ett träningsprogram, välj User (Användare) och tryck på "MODE" (LÄGE) för att bekräfta.
- Använd knappen "UP/DOWN" (UPP/NER) för att ställa in spänningsnivå för det första profilsegmentet. (Intervall 1~16), tryck på "MODE" (LÄGE) för att bekräfta.
- Upprepa detta steg för alla andra segment också.
- När fullständig profil är programmerad, ska du trycka ned "MODE" (LÄGE) i två sekunder för att bekräfta.
- Använd knappen "UP/DOWN" (UPP/NER) för att ställa in tid, och tryck på "MODE" (LÄGE) för att bekräfta.
- Tryck på START/STOP (STARTA/STOPPA) för att starta träningspasset.
- Använd RESET för att gå tillbaka till huvudmenyn.

Recovery [Återställning]

- Återställningsknappen är endast aktiv, om pulsslag föreligger.
- TID visar "0-60" (sekunder) och räknar ner till 0.
- Datorn visar F1 till F6 efter nedräkning för att testa hjärtslagets återställningsstatus. Användaren kan hitta hjärtslagets återställningsnivå baserad på tabellen nedan.
- Tryck på RECOVERY (ÅTERHÄMTNING) igen för att återgå till den föregående skärmen.

F1	Enastående
F2	Utmärkt
F3	Bra
F4	Hyfsad
F5	Under genomsnittet
F6	Dålig

Felsökning:

- Om det inte finns någon signal när du trampar, ska du kontrollera om kabeln är ordentligt ansluten.

OBS

- När du slutar träna i 4 minuter kommer huvudskärmen att stängas av.
- Om datorn visas onormala värden, ska du installera om transformatorn och försöka igen.

Bluetooth & APP

- Denna panel kan ansluta APP (Fit Hi Way) på den smarta enheten med Bluetooth. (iOS & Android).
- Upprätta Bluetooth-anslutningen endast via anslutningsläget på den installerade APP-enheten på din smarta enhet.
- När panelen har anslutits till den smarta enheten via Bluetooth stängs strömmen på panelen av.

OBS

- Tunturi ger dig endast möjligheten att ansluta din träningspanel med en Bluetooth-anslutning. Därför bär Tunturi inget ansvar för skador eller felfunktioner som uppstår på andra produkter än Tunturi-produkter.
- Kolla webbplatsen för extra information.

Rengöring och underhåll

Utrustningen kräver inte något särskilt underhåll. Utrustningen kräver inte omkalibrering när den monteras, används eller servas i enlighet med instruktionerna.

⚠ VARNING

- Innan rengöring och underhåll, avlägsna adaptorn.
- Använd inte lösningsmedel för att rengöra utrustningen.

- Rengör utrustningen med en mjuk och absorberande trasa efter varje användning.
- Kontrollera regelbundet att alla skruvar och muttrar är åtdragna.
- Smörj vid behov.
- Rengör insidan av rälsen vid behov så att sitsen glider så lätt och tyst som möjligt. Du kan också få sitsen att glida lättare genom att applicera paraffin på rälsytorna om det behövs.

Störningar Vid Användning

Trots kontinuerlig kvalitetskontroll kan fel eller funktionsstörningar som beror på någon enskild komponent förekomma. Därför är det onödigt att hela redskapet skickas på reparation, eftersom det för det mesta räcker med att aktuell komponent byts.

Kontakta genast din försäljare om du upptäcker fel eller brister när du använder ditt redskap eller om du behöver reservdelar. Uppge alltid redskapets modell och serienummer. Beskriv problemet, hur redskapet använts, och uppge inköpsdagen.

Behöver du reservdelar, uppge också numret på reservdelar; du hittar en lista på reservdelar i slutet på den här handboken. Till apparaten är endast delar från reservdelslistan användas.

Fjärrkontrollen fungerar inte

När fjärrkontrollen som är inbyggd i styret inte fungerar längre är den förmodligen inte parad längre.

För att återupprätta anslutningen mellan styrenheten och displayen måste styret drivas av ström från batteriet innan roddmaskinen. Gör så här:

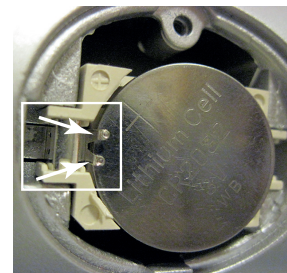
1. Koppla ur roddmaskinens transformator.
2. Öppna batterifacket på baksidan av styret och ta ut CR2032-batteriet för styret. (vänta i 2 sekunder)
3. Sätt tillbaka CR2032-batteriet och stäng facket igen.
4. Anslut roddmaskinens transformator och vänta minst 10 sekunder (om du inte väntar i 10 sekunder misslyckas proceduren).
5. Kontrollera att det fungerar genom att trycka på startknappen på displayen och använda UPP/NED-knapparna på fjärrkontrollen för att om du kan justera spänningsnivån.

Detta bör återupprätta anslutningen igen.

När den integrerade fjärrkontrollen i handtagsstången inte fungerar är det troligt att batteriet i handtagsstången är slut. Byt ut CR2032-cellbatteriet mot ett nytt.

OBS

- När du installerar CR2032-batteriet, se till att sätta i det korrekt så att polerna hämnar på rätt plats.
- Se till att metallhaken ligger över batteriet som visas på bilden.
- Polaritet: - nedåt och + upp.

**Knika rullar.**

- När hjulen för mycket brus när du flyttar, applicera 2cc. smörjmedel på båda skenor.

⚠ VARNING

- Vi rekommenderar att du använder ett silikonbaserat smörjmedel.
- För mycket smörjmedel kan jord mattan eller damm skador. Torka bort så mycket smörjmedel med en torr trasa.

Transport och lagring**⚠ VARNING**

- Innan transport och förvaring, avlägsna adaptorn.
 - Var två om att bära och förflytta utrustningen.
- Stå framför utrustningen på vardera sidan och ta ett fast grepp i handtagen. Lyft utrustningens framsida så att baksidan lyfts på hjulen. Förflytta utrustningen och sätt ner den försiktigt. Placera utrustningen på en skyddande grund för att förhindra att golvet skadas.
 - Förflytta utrustningen försiktigt över ojämna ytor. Förflytta inte utrustningen till övervåningen med hjulen, utan bär utrustningen med handtagen.
 - Förvara utrustningen på en torr plats med så liten temperaturvariation som möjligt.

Roddmaskinen R60 kan lyftas upp för att spara plats på följande sätt:

- Lossa låspinnen under framramen, tryck ner ramen något och dra låspinnen uppåt.
- Lossa spärren på vänster sida genom att trycka reglaget i sidled. Lyft samtidigt upp framramen.

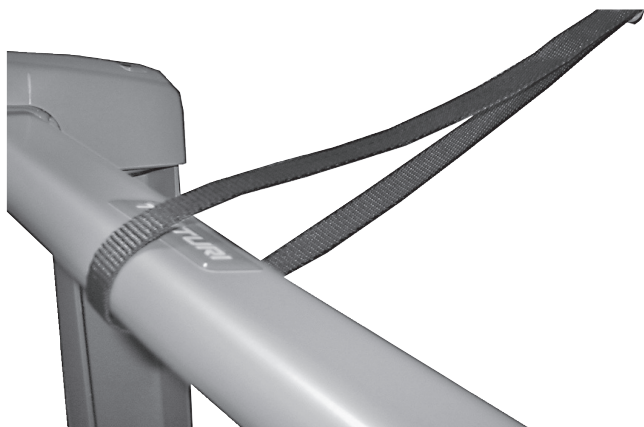


- Skjut försiktigt ner framramen mellan rälsarna. Se till att framramen är låst.
- Grip tag i tvärbalken på den bakre änden av roddmaskinen och lyft upp redskapet i upprätt läge så att den stöds av stödbenen på framänden.

Förvara roddmaskinen mot en vägg och se till att framramen inte kan falla ner och orsaka skada.

⚠ VARNING

En ring och en hake medföljer för att låsa roddmaskinen i förvaringsläge. Välj en lämplig förvaringsplats längs med en vägg och sätt fast haken ordentligt i rätt höjd på väggen. Lyft upp roddmaskinen till förvaringsläge framför haken. Trä ringen runt tvärbalken och koppla ihop ringen och haken. Gå inte på roddmaskinen när den är i förvaringsläge!



Ytterligare information

Bortskaffande av förpackning

Riktlinjer från myndigheter uppmanar att vi minskar mängden avfall som placeras i deponier. Vi ber dig därför att bortskaffa allt förpackningsavfall på ett ansvarsfullt sätt på allmänna återvinningscentraler.

Bortskaffande av uttjänt redskap

Vi på Tunturi hoppas att du får många års trevlig användning av ditt träningsredskap. Men det kommer en tid när ditt träningsredskap är uttjänt. Enligt den europeiska WEEE-lagstiftningen, ansvarar du för korrekt bortskaffande av ditt träningsredskap på en allmän återvinningsanläggning.

Teknisk information

Parameter	Måttenhet	Värde
Telemetrisk hjärtfrekvensmottagare.	hand-kontakt 5.3~ 5.4 Khz. Bluetooth (BLE) ANT+	<input checked="" type="checkbox"/> <input checked="" type="checkbox"/> <input checked="" type="checkbox"/> <input checked="" type="checkbox"/>
Längd	cm inch	197 77,6
Bredd	cm inch	50 19.7
Höjd	cm inch	66 26
Vikt	kg lbs	46.4 102.3
Max användarvikt	kg lbs	135 300
Adapter Spänning Strömstyrka		9V-DC 1,5 A.

Garanti

Garantivillkor

Konsumenten har rätt att tillämpa de nationellt lagstadgade rättigheterna gällande konsumentvaror och denna garanti begränsar inte dessa rättigheter.

Årgarantin är giltig endast om Tunturis träningsredskap används i de miljöer som tillåts enligt Tunturi. Vilka miljöer som är tillåtna står i träningsredskapets bruksanvisning.

Garantivillkor

Garantivillkoren börjar att gälla från inköpsdatumet. Garantivillkoren kan variera mellan olika länder. Kontakta en lokal återförsäljare om garantivillkoren.

Garantins omfattning

Oavsett omständigheter, ansvarar inte Tunturi New Fitness BV eller Tunturis återförsäljare för uppkomna personskador som påverkar köparen, och som innebär inkomstförlust eller andra ekonomiska följdverkningar.

Gegränsningar i garantin

Garantin gäller för arbets- och materialfel, förutsatt att redskapet är i originalmonterat skick.

Garantin gäller endast fel som uppstår vid normalt bruk och då den använts enligt Tunturis instruktioner gällande montering, skötsel och användning. Tunturi New Fitness BV och Tunturis återförsäljare ansvarar ej för fel som uppkommer utanför deras kontroll.

Garantin gäller endast redskapets ursprungliga ägare och är gällande endast i de länder där det ifnns en godkänd Tunturi New Fitness BV återförsäljare.

Garantin gäller ej för redskap eller delar som har ändrats utan Tunturi New Fitness BV:s godkännande. Garantin gäller ej för fel som beror på normalt slitage, felaktig användning, användning i förhållanden som inte är avsett för redskapet, korrosion eller lastnings- och transportskadorna.

Garantin täcker inte ljud som uppstår under användning såvida dessa inte väsentligt hindrar utrustningens användning eller har orsakas av ett fel i utrustningen.

Garantin gäller inte för underhållsarbete, som rengöring, smörjning eller normal kontroll av komponenterna och inte heller för monteringsarbete som kunden själv kan göra och som inte kräver att redskapet plockas isär/sätts ihop. Det gäller till exempel byte av mätare, trampor eller andra motsvarande enkla delar.

Garantireparationer utförda av andra än en godkänd Tunturi-representant, ersätts inte. Ifall instruktionerna i manualen inte följs upphävs produktens garanti.

Försäkran från tillverkaren

Tunturi New Fitness BV försäkrar att produkten uppfyller följande standarder och direktiv: EN 957 (HB), 2014/30/EU.

Produkten är därför CE-märkt.

07-2020

Tunturi New Fitness BV
Purmerweg 1
1311 XE Almere
Nederländerna

Friskrivning

© 2020 Tunturi New Fitness BV

Alla rättigheter förbehålles.

- Produkten och handboken kan komma att ändras.
- Specifikationer kan ändras utan förvarning.
- På vår webbplats finns den senaste bruksanvisningen.

Suomeksi

Tämä suomennettu käyttöohje on käännetty Englannin kielestä. Pidätämme oikeudet mahdollisiin käännösvirheisiin. Käännös tehty virallisen, englanninkielisen version pohjalta.

Sisältö

Soutulaite	64
Turvallisuusvaroitukset	64
Sähköturvallisuus.....	64
Kokoamisohjeet	65
Kuvaus.....	65
Kokoonpano (kuva. B).....	65
virtalähde (kuva. C)	65
Valmista kädensijan hallinta (fig. E)	65
Harjoitukset	65
Ohjeita harjoittelua varten	65
Syke.....	66
Käyttö	66
Soutaminen.....	66
Ohjauspaneeli (kuva D-1)	67
Näytön toimintojen selitykset	67
Toiminta	67
Painikkeiden selitykset	67
Toiminta	68
Ohjelmat	68
Sovellus & Bluetooth.....	68
Puhdistus ja huolto	69
Käyttöhäiriöt	69
Kaukosäädin ei toimi.....	69
Sykkivä rullat	69
Kuljetus ja säilytys	69
Lisätietoa laitteen omistajalle.....	70
Tekniset tiedot	70
Takuu	70
Valmistajan vakuutus	71
Vastuuvapauslauseke	71

Soutulaite

Tervetuloa Tunturi Fitness -maailmaan!

Kiitämme sinua tämän Tunturi-laitteen ostosta. Tunturi tarjoaa laajan valikoiman ammattimaisia kuntoilulaitteita, mukaan lukien crosstrainerit, juoksumatot, kuntopyörät ja soutulaitteet. Tunturi-laite sopii koko perheelle kuntotasosta riippumatta. Katso lisätiedot verkkosivuiltamme www.tunturi.com

Tärkeitä turvallisuusohjeita

Tämä opas on olennainen osa kuntolaitettasi. Perehdy ohjeisiin huolellisesti ennen kuin asennat, käytät tai huollat kuntolaitettasi. Sinun tulee ehdottomasti säilyttää tämä opas, sillä jatkossa se opastaa Sinua niin kuntolaitteesi tehokkaaseen käyttöön kuin huoltoonkin. Muista aina noudattaa tämän oppaan ohjeita.

Turvallisuusvaroitukset**VAROITUS**

- Lue turvallisuusvaroitukset ja -ohjeet. Turvallisuusvaroitusten ja -ohjeiden jättäminen noudattamatta voi aiheuttaa henkilön loukkaantumisen tai laitevaurion. Säilytä turvallisuusvaroitukset ja -ohjeet myöhempää käyttöä varten.

AROITUS

- Sykkeenvalvontajärjestelmät saattavat olla epätarkkoja. Liiallinen harjoittelu saattaa aiheuttaa vakavia vammoja tai kuoleman. Jos tunnet olosi heikoksi, lopeta harjoittelu heti.

- Laite on sopiva vain kotikäyttöön. Laite ei ole sopiva kaupalliseen käyttöön.
- Enimmäiskäyttö on rajoitettu 5 tuntiin päivässä
- Tämän laitteen käyttö lasten tai fyysisesti, aistillisesti, henkisesti, tai liikunnallisesti rajoittuneiden, tai kokemukseltaan ja tiedoiltaan puutteellisten henkilöiden toimesta voi aiheuttaa vaaratilanteita. Heidän turvallisuudestaan vastuussa olevien henkilöiden on annettava selkeät ja tarkat ohjeet laitteen käytöstä ja valvottava laitteen käyttöä.
- Ennen harjoituksen aloittamista ota yhteys lääkäriin terveystarkastusta varten.
- Jos sinulla on pahoinvointia, huimausta, tai muita epätavallisia oireita, lopeta välittömästi harjoitus ja ota yhteys lääkäriin.
- Vältä lihaskipuja ja venähdyksiä aloittamalla jokainen harjoitus lämmittelyjaksolla ja päättä jokainen harjoitus jäädyttelyjaksolla. Muista venytellä harjoittelun lopuksi.
- Laite on sopiva vain sisäkäyttöön. Laite ei ole sopiva ulkokäyttöön.
- Käytä laitetta riittävällä tuuletuksella varustetuissa tiloissa. Älä käytä laitetta vetoisissa tiloissa välttääksesi kylmettymisen.
- Käytä laitetta vain ympäristölämpötilassa 10 °C - 35 °C. Säilytä laitetta vain ympäristölämpötilassa 5 °C - 45 °C.
- Älä käytä tai säilytä laitetta kosteissa tiloissa. Ilmankosteus ei saa koskaan olla yli 80 %.
- Käytä laitetta vain sen aiottuun tarkoitukseen. Älä käytä laitetta muihin, kuin tässä käyttöoppaassa esitettyihin tarkoituksiin.
- Älä käytä laitetta, jos sen jokin osa on vaurioitunut tai viallinen. Jos osa on vaurioitunut tai viallinen, ota yhteys jälleenmyyjään.
- Pidä kätesi, jalkasi ja kehon muut osat pois liikkuvista osista.
- Pidä hiuksesi pois liikkuvista osista.
- Käytä asianmukaista vaateetusta ja kenkiä.
- Pidä vaatteet, korut ja muut esineet pois liikkuvista osista.
- Varmista, että vain yksi henkilö kerrallaan käyttää laitetta. Yli 135 kg (300 lbs) ainava henkilö ei saa käyttää laitetta.
- Älä avaa laitetta ilman yhteydenottoa jälleenmyyjäsi.

Sähköturvallisuus

(koskee vain sähköistä laitetta)

- Varmista aina ennen käyttöä, että sähkölähteen jännite on sama kuin laitekilvessä ilmoitettu laitteen nimellijännite.
- Älä käytä jatkojohtoa.
- Pidä virtajohto pois kuumasta, öljystä ja terävistä kulmista.
- Älä tee muutoksia virtajohtoon tai pistokkeeseen.
- Älä käytä laitetta, jos virtajohto tai virtajohdon pistoke on vaurioitunut tai viallinen. Jos virtajohto tai virtajohdon pistoke on vaurioitunut tai viallinen, ota yhteys jälleenmyyjäsi.
- Suorista aina virtajohto täysin.
- Älä vie virtajohtoa laitteen alitse. Älä laita virtajohtoa maton alle. Älä laita virtajohdon päälle mitään esineitä.
- Varmista, ettei virtajohto roiku pöydän kulman yli. Varmista, ettei virtajohtoon voi vahingossa tarttua kiinni tai kompastua.

- Älä jätä laitetta ilman valvontaa virtajohdon ollessa liitettyinä pistorasiaan.
- Älä vedä pistoketta irti pistorasiasta virtajohdosta vetämällä.
- Irrota pistoke pistorasiasta, kun laite ei ole käytössä, ennen asennusta tai purkamista ja ennen puhdistusta sekä huoltoa.

Kokoamisohjeet

Kuvaus

Soutulaitteesi on paikallaan pysyvä kuntoilulaite, jota käytetään simuloimaan soutua ilman liiallista rasitusta niveliin.

Kokoonpano (kuva. B)

⚠ VAROITUS

- Jos osa puuttuu, ota yhteys jälleenmyyjään.
- Vähintään kahden henkilön on kannettava ja siirrettävä laitetta.

⚠ HUOMAUTUS

- Sijoita laite kovalle, tasaiselle alustalle.
 - Asettakaa laite suojalustalle lattiapinnan vaurioiden estämiseksi.
 - Varaa vähintään 100 cm tilaa laitteen ympärille.
- Soutulaite on pakkauksessa säilytysasentoon lukittuna.
 - Käännä rungon päälle taitettu eturunko ylös ja eteen.
 - Vedä lukitusnuppia ylöspäin ja paina samalla eturunkoa alaspäin vetohihnan rullien suojan päältä.
 - Vapauta lukitusnuppi ja varmista, että eturunko on lukittunut etuasentoon.
 - Kiristä lukitusnuppi aina ennen harjoittelun aloittamista.

Aseta mittari sopivaan kulmaan harjoittelua varten.

virtalähde (kuva. C)

Virtalähde Kuntolaitteessa on ulkoinen virtalähde. Katso oheisesta kuvasta, missä kuntolaitteesi virtapiste sijaitsee.

🔌 ILMOITUS

- Kiinnitä muuntaja laitteeseen ennen kuin yhdistät sen pistorasiaan.
- Irrota virtajohto seinästä aina kun laitetta ei käytetä.

Valmista kädensijan hallinta (fig. E)

Pariston tyhjenemisen välttämiseksi kuljetuksen ja varastoinnin aikana olemme asettaneet akun eristysnauhan kädensijan ohjausyksikköön. Tämä on vedettävä ulos varovaisella mutta silti liikkeellä ennen kädensijan hallintalaitteiden käyttöä.

Harjoitukset

Harjoituksen on oltava sopivan kevyt, mutta pitkäkestoinen. Aerobic-harjoitus perustuu kehon maksimi hapenottokyvyn parantamiseen, mikä puolestaan parantaa kestävyyttä ja kuntotasoa. Harjoituksen aikana sinun tulisi hikoilla, mutta sinun ei tulisi hengästyä. Harjoittele vähintään kolme kertaa viikossa 30 minuuttia peruskuntotason saavuttamiseksi ja ylläpitämiseksi. Paranna kuntotasoasi lisäämällä harjoituskertojen määrää. On hyödyllistä yhdistää säännöllinen harjoitus terveelliseen dieettiin. Dieettiin sitoutuneen henkilön tulisi harjoitella päivittäin, ensi alkuun korkeintaan 30 minuuttia ja vähitellen lisäten päivittäinen harjoitus aika yhteen tuntiin. Aloita harjoituksesi

hitaalla nopeudella ja pienellä vastuksella estääksesi liiallisen rasituksen sydän-verisuonijärjestelmään. Nopeutta ja vastusta voidaan vähitellen lisätä kuntotason parantuessa. Harjoituksesi tehokkuus voidaan mitata seuraamalla sydämesi lyöntinopeutta ja pulssisi nopeutta. Lisää nopeutta ja vastusta vähitellen oman kuntosi mukaan. Pidä pää pystyssä ja kaula suorana välttääksesi stressiä kaulassa, hartioissa ja selässä. Pidä selkäsi suorana. Varmista, että jalkasi ovat keskellä polkimia ja että lantio, polvet, nilkat ja varpaat ovat suoraan eteenpäin. Pidä painosi alaruumiin yläpuolella, huolimatta siitä, nojaatko eteenpäin vai seisotko suorana. Lopeta harjoitusjaksosi vähentämällä nopeutta ja vastusta vähitellen. Muista venyttellä harjoittelun lopuksi.

Ohjeita harjoittelua varten

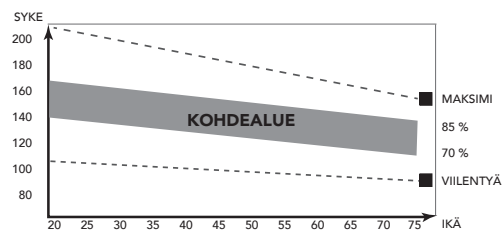
Kuntolaitteen käyttö tarjoaa monia etuja: se parantaa fyysistä kuntoa, kiinteyttää lihaksia ja hallittuun ruokavalion yhdistettynä se auttaa myös pudottamaan painoa.

Lämmittelyvaihe

Tämän vaiheen tarkoituksena on saada veri virtaamaan nopeammin ympäri kehoa ja panna lihakset tekemään työtä. Lämmittely vähentää myös kramppeihin ja lihavammojen riskiä. Suosittelemme, että teet muutaman venyttelyharjoituksen alla olevan kuvan mukaisesti. Jokaisen venytyksen tulisi kestää noin 30 sekuntia. Älä tee venytyksiä väkisin tai nykäisten - jos tunnet kipua, LOPETA.

Harjoitteluvaihe

Tämä on se vaihe, jossa ponnistelet. Säännöllisen harjoittelun tuloksena jalkojesi lihakset tulevat joustavammiksi. Tässä vaiheessa on hyvin tärkeää ylläpitää tasaista nopeutta koko ajan. Rasituksen tulisi olla riittävän suuri, jotta sykkeesi nousee tavoitealueelle alla olevan kaavion mukaisesti



Tämän vaiheen tulisi kestää vähintään 12 minuuttia, mutta useimmilla aloittelijoilla se on noin 15-20 minuuttia.

Jäähdyttelyvaihe

Tämän vaiheen tarkoituksena on antaa verenkiertojärjestelmäsi ja lihaksiesi palautua. Jäähdyttelyssä toistetaan lämmittelyvaiheen harjoitukset vähentämällä ensin nopeutta ja jatkamalla tällä nopeudella noin 5 minuuttia. Toista sitten venyttelyharjoitukset pitäen mielessä, että venytyksiä ei saa tehdä väkisin tai nykäisten. Kun kuntosi nousee, voit tarvita pidempiä ja raskaampia harjoituksia. On suositeltavaa treenata vähintään kolme kertaa viikossa, ja harjoittelut olisi hyvä jakaa tasaisesti viikon varrelle.

Lihasten kiinteytys

Jos tavoitteesi on lihasten kiinteytys, sinun pitää asettaa vastus suureksi. Silloin jalkojesi lihakset rasittuvat enemmän, etkä ehkä pysty treenaamaan niin pitkään kuin haluaisit. Jos tavoitteesi on myös kunnan kohentaminen, sinun pitää muuttaa harjoitteluohjelmaasi. Harjoittele lämmittely- ja jäähdyttelyvaiheissa normaalisti, mutta lisää vastusta harjoitteluvaiheessa, jotta jalkasi joutuvat tekemään enemmän työtä. Vähennä tarvittaessa nopeutta, jotta sykkeesi pysyy tavoitealueella.

Painon pudotus

Ratkaisevaa on se, miten rasittavaa harjoittelu on. Mitä enemmän ja mitä pidempään harjoittelet, sitä enemmän poltat kaloreita. Vaikutus on sama kuin jos harjoittelisit kunnon kohentamiseksi, vaikka tavoite on nyt toinen.

Syke**Sykkeen mittaus (sykevyö)**

Tarkin sydämen lyöntinopeus saadaan sykevyöllä. Sykemittaus tapahtuu käyttöliittymän sykevastaanottimen ja sykevyön lähettimen avulla.

Tarkka sydänmittaus edellyttää lähettinyön elektrodien olevan hieman kosteita ja jatkuvassa kosketuksessa ihoon. Jos elektrodit ovat liian kuivia tai liian kosteita, sykkeen mittaus voi olla epätarkempi.

VAROITUS

- Jos sinulla on sydäntahdistin, ota yhteys lääkäriin ennen sykevyön käyttöä.

HUOMAUTUS

- Jos useita sykemittauslaitteita on vierekkäin, varmista, että niiden keskinäinen etäisyys on vähintään 2 metriä.
- Varmistu, että laitteen sykevastaanottimen ja sykevyön lähettimen kantomatkan sisällä ei ole muita lähettämiä, jotka voisivat aiheuttaa häiriöitä mittauksessa.

ILMOITUS

- Pidä aina sykevyötä vaatteittesi alla suorassa kosketuksessa ihoosi. Älä pidä sykevyötä vaatteittesi päällä. Jos pidät sykevyötä vaatteittesi päällä, signaalia ei ole.
- Jos asetat rajan sydämen lyöntinopeudelle, rajan ylityessä kuuluu äänihälytys.
- Lähetin lähettää sykkeen korkeintaan 1,5 metrin etäisyydellä olevaan ohjauspaneeliin. Jos elektrodit eivät ole kosteita, sydämen lyöntinopeus ei tule näytölle.
- Jotkin vaatteiden kuidut (esim. polyesteri, polyamidi) synnyttävät staattista sähköä, mikä voi estää tarkan sydämen lyöntinopeuden mittauksen.
- Matkapuhelimet, televisiot ja muut sähkölaitteet luovat sähkömagneettisen kentän, joka voi estää tarkan sydämen lyöntinopeuden mittauksen.

Suurin sallittu sydämen lyöntinopeus (harjoituksen aikana)

Suurin sallittu sydämen lyöntinopeus on suurin lyöntinopeus, jonka henkilö voi turvallisesti saavuttaa harjoituksen rasituksella. Seuraavaa kaavaa käytetään laskemaan keskimääräinen suurin sallittu sydämen lyöntinopeus: 220 - IKÄ. Suurin sallittu sydämen lyöntinopeus vaihtelee henkilöstä toiseen.

VAROITUS

- Varmista, ettet ylitä sydämesi suurinta sallittua lyöntinopeutta harjoituksen aikana. Jos kuulut riskiryhmään, ota yhteys lääkäriin.

Aloittelija**50-60% suurimmasta sallitusta sydämen lyöntinopeudesta**

Sopiva aloittelijoille, painonvartijoille, toipilaille, ja henkilöille, jotka eivät ole harjoitelleet pitkään aikaan. Harjoittele vähintään kolme kertaa viikossa, 30 minuuttia kerrallaan.

Edistynyt**60-70% suurimmasta sallitusta sydämen lyöntinopeudesta**

Sopiva henkilöille, jotka haluavat parantaa ja ylläpitää kuntoaan. Harjoittele vähintään kolme kertaa viikossa, 30 minuuttia kerrallaan..

Ekspertti**70-80 % suurimmasta sallitusta sydämen lyöntinopeudesta**

Sopiva kunnoltaan erittäin hyvillä henkilöillä, jotka ovat tottuneet pitkäkestoisiin harjoituksiin.

Käyttö**Soutaminen**

	Aloitusasento Istu etunojassa selkä ja kädet suorina
	Liike Työnnä jaloilla itseäsi taaksepäin. Pidä kädet suorina..
	Vedon viimeistely Jatka liikettä niin, että koukistetut käsivartesi ohittavat lantionseudun.
	Loppuasento Taivu ylävartalostasi eteenpäin, lantiosi ylle.
	Uusi liike Pala aloitusasentoon ja toista.

Liikkeen aloitus

Tartu soutukapulaan ja aloita liike hieman etunojassa, polvet koukussa ja käsivarret suorina. Työnnä jaloilla voimakkaasti taaksepäin suoristaen samalla selkäsi ja polvet.

Vetoliike

Jatka liikettä kevyeen takanojaan. Koukista samalla käsivarsia niin, että käsivarret ohittavat lantiosi.

Paluu alkuasentoon

Palaa takaisin alkuasentoon ja toista liike.

Ohjauspaneeli (kuva D-1)



⚠ HUOMAUTUS

- Pidä ohjauspaneeli pois suorasta auringonvalosta.
- Kuivaa ohjauspaneelin pinta, jos siihen on tippunut hikeä.
- Älä nojaa ohjauspaneeliin.
- Kosketa näyttöä vain sormenpäälläsi. Älä kosketa näyttöä kynsiläsi tai terävillä esineillä.

🔊 ILMOITUS

- Ohjauspaneeli siirtyy valmiustilaan, kun laitetta ei ole käytetty 4 minuuttiin.

Näytön toimintojen selitykset

Time/ 500m

- Tarkoittaa aikaa, joka tarvitaan tämänhetkisellä soututeholla harjoitukseen, kun harjoitusmatka on 500 metriä.
- Alue: 0 ~ 99:00 min.

SPM

- SPM tarkoittaa vetoja minuutissa (Strokes per Minute), ja tässä kohdassa näkyy keskimääräinen vetomäärä minuutissa harjoituksen aikana.
- Näyttöalue: 0 ~ 999

Distance (Matka) M

- Jos tavoitearvoa ei ole määritetty, harjoitusmatkan arvo kasvaa.
- Kun tavoitearvo asetetaan, matkaa lasketaan tavoitematkasta arvoon 0, jonka jälkeen kuuluu hälytysääni tai hälytys vilkkuu.
- Alue: 0 ~ 99999 M. (± 100 M)

Time (Aika)

- Jos tavoitearvoa ei ole määritetty, ajan arvo kasvaa.
- Kun määritetään tavoitearvo, aika alkaa harjoitusaikatavoitteesta ja etenee nolnaan, minkä jälkeen kuuluu tai näkyy hälytys.
- Aikalukema jatkaa kasvamistaan, jos harjoittelua ei lopeteta tavoitearvon saavuttamisen jälkeen.
- Ellei monitorille lähetetä mitään signaalia 4 sekuntiin harjoituksen aikana, harjoitusajan mittaus pysähtyy
- Alue: 0.00 - 99.59

Vedot

- Näyttää aktiivisen harjoittelukerran aikana kertyneet vedot.
- Alue: 0 ~ 99999 ± 1 vetoa.

Calories (kalorit)

- Jos tavoitearvoa ei ole määritetty, kalorimäärä kasvaa.
- Kun tavoitearvo asetetaan, kaloreita lasketaan tavoitekaloreista arvoon 0, jonka jälkeen kuuluu hälytysääni tai hälytys vilkkuu.
- Kalorilukema kasvaa edelleen, jos harjoittelua ei lopeteta tavoitteen saavuttamisen jälkeen.

- Laskee automaattisesti harjoittelun aikana poltetut kalorit.
- Alue: 0 ~ 9999 kilokaloria.

HUOMAUTUS!!

- Nämä tiedot muodostavat suurpiirteisen oppaan eri harjoitusjaksojen vertailuun. Niitä ei voi käyttää lääketieteellisessä hoidossa.

Pulse (Syke)

- Tämänhetkinen pulssi näkyy kuuden sekunnin kuluttua siitä, kun konsoli on havainnut sen.
- Jos pulssisignaalia ei näy kuuteen sekuntiin, konsolin näytölle tulee "P".
- Pulssihälytys kuuluu, kun nykyinen pulssi ylittää tavoitepulssin.
- Alue: 0-30 ~ 230 BPM

WATTS (WATIT)

- Näyttää nykyisen harjoittelun watteina.
- Alue 0 ~ 999

Load (Kuormitus)

- Näyttää vastustason asetuksen säädön aikana 3 sekunnin ajan.
- Alue: 1 ~ 16

Toiminta

Laitteen kytkeminen päälle

- Laita pistotulppa pistorasiaan, tietokone käynnistyy ja näyttää LCD:llä kaikki segmentit 2 sekuntia.
- Voit aktivoida virransäästötilassa olevan konsolin painamalla mitä tahansa näppäintä.

Kellon asettaminen

- Nollaa mittari painamalla ja pitämällä painettuna MODE-painiketta ja RESET-painiketta 2 sekuntia.
- Aseta kello painamalla UP-painiketta tai DOWN-painiketta.

Painikkeiden selitykset

Reset

- Asetustilassa voit nollata nykyisen toiminnon luvut painamalla kerran RESET-painiketta.
- Nollaa kaikki toimintoluvut painamalla RESET-painiketta yhtäjaksoisesti kahden sekunnin ajan

Start/Stop

- Aloita tai lopeta (keskeytä) harjoitus.

Recovery (Palautuminen)

- Kun konsoli on havainnut sykesignaalin, paina RECOVERY-painiketta siirtyäksesi palautumistilaan, jotta voit seurata sykkeen palautumiskykyä

Ylös

- Suurena vastustasoa harjoittelun aikana.
- Valinnan määrittäminen.

Mode (tila)

- Vahvasta asetus tai valinta.

Alas

- Pienennä vastustasoa harjoittelun aikana.
- Valinnan määrittäminen.

Toiminta

Laitteen kytkeminen päälle

- Kytke virtalähde käynnistääksesi tietokoneen.
- Kytke lepotilassa oleva konsoli päälle painamalla mitä tahansa painiketta.
- Kytke lepotilassa oleva konsoli päälle alkamalla polkemaan.

Laitteen kytkeminen pois päältä

- Jos monitorille ei lähetetä mitään signaalia 4 minuuttiin, se siirtyy automaattisesti LEPOTILAAN.
- Irrota virtalähde katkaistaksesi tietokoneesta virran välittömästi.

Ohjelmat

Pika-aloitus

- Paina START/STOP-painiketta aloittaaksesi harjoittelun ilman ennalta määritettyjä asetuksia.
- Käytä YLÖS/ALAS-painikkeita säätääksesi vastustasoa harjoittelun aikana.

Lopeta harjoituksesi

- Pysäytä/keskeytä harjoituksesi painamalla START/STOP-painiketta harjoittelutilassa. Jatka harjoitustasi painamalla START/STOP-painiketta taukotilassa.
- RESET-näppäimellä voit nollata konsolin. (Käynnissä olevan harjoituksen tiedot menetetään.)

Manuaalinen tila

- Valitse harjoitteluohjelma YLÖS/ALAS-painikkeilla, valitse MANUAL-tila ja paina MODE-painiketta siirtyäksesi manuaalisen tilan seuraavaan asetukseen.
- Käytä YLÖS/ALAS-painiketta asettaaksesi ennalta määritetyn harjoitusajan ja vahvista asetus painamalla MODE-painiketta.
- Vahvistuksen jälkeen voit määrittää myös kalorit ja sykerajan.

⚠ HUOMAUTUS

- Jos asetat useamman kuin yhden tavoitteen, harjoitus päättyy, kun ensimmäinen tavoite on saavutettu.
 - Jätä tavoite tyhjäksi, niin sitä ei katsota ennalta määritetyksi rajaksi.
 - Harjoituksen aika- ja matkatavoitteita ei voi asettaa yhdessä.
 - Syke ei ole harjoituksen päättymisraja. Jos ennalta määritetty sykeraja (PULSE) ylittyy jatkuvasti, kuuluu piippaus.
- Paina START/STOP-painiketta aloittaaksesi harjoittelun
 - Käytä YLÖS/ALAS-painiketta säätääksesi vastustasoa. Kuormitustaso näkyy LOAD (kuormitus) -ikkunassa.

Ohjelma (Kuva F)

- Valitse PROGRAM (ohjelma) -tila YLÖS/ALAS-painikkeella ja vahvista MODE-painikkeella.
- Käytä YLÖS/ALAS-painiketta harjoitusohjelman valintaan ja vahvista asetus painamalla MODE-painiketta.
- Voit säätää aikaa YLÖS/ALAS-painikkeella, vahvista MODE-painikkeella.
- Paina START/STOP-painiketta aloittaaksesi harjoittelun.
- Voit säätää vastustasoa YLÖS/ALAS-painikkeella.

H.R.C. mode (tila).

- Käytä YLÖS/ALAS-painiketta harjoitusohjelman valintaan, valitse H.R.C. ja vahvista asetus painamalla MODE-painiketta.
- Voit säätää iän YLÖS/ALAS-painikkeella.
- Voit valita 55%, 75%, 90% tai TA YLÖS/ALAS-painikkeella.
55 % = (220-ikä) x 55 %, 75 % = (220-ikä) x 75 %
90 % = (220-ikä) x 90 %, TA = tavoite (oletus = 100) Määritä tavoitearvo YLÖS/ALAS-painikkeella.

Vahvista painamalla MODE-painiketta.

- Voit säätää aikaa YLÖS/ALAS-painikkeella, vahvista MODE-painikkeella.
- Paina START/STOP-painiketta aloittaaksesi harjoittelun.
- Käytä RESET-painiketta siirtyäksesi takaisin päävalikkoon.

Kilpailutila.

- Käytä YLÖS/ALAS-painiketta harjoitusohjelman valintaan, valitse RACE (kilpailu) ja vahvista asetus painamalla MODE-painiketta.
- Voit säätää "Strokes per minute" (Vetoja minuutissa) -arvon tietokoneen simulaattorille (alue 10~95 ±5), vahvista MODE-painikkeella.
- Voit säätää matkan maaliin (alue 100~9900 metriä ±100) YLÖS/ALAS-painikkeella, vahvista MODE-painikkeella.
- Paina START/STOP-painiketta aloittaaksesi kilpailutoiminnon.

⚠ HUOMAUTUS

- Harjoitus päättyy, kun joko tietokone (PC) on päässyt tai sinä (U, käyttäjä) olet päässyt loppuun.

Käyttäjä

- Käytä YLÖS/ALAS-painiketta harjoitusohjelman valintaan, valitse User (käyttäjä) ja vahvista asetus painamalla MODE-painiketta.
- Voit säätää vastustason profiiliin ensimmäiselle alueelle YLÖS/ALAS-painikkeella. (Alue 1~16), vahvista painamalla MODE-painiketta.
- Toista tämä vaihe kaikilla muilla alueilla.
- Kun koko profiili on ohjelmoitu, vahvista painamalla "Mode"-painiketta yhtäjaksoisesti 2 sekunnin ajan.
- Voit säätää aikaa YLÖS/ALAS-painikkeella, vahvista MODE-painikkeella.
- Paina START/STOP-painiketta aloittaaksesi harjoittelun.
- Käytä RESET-painiketta siirtyäksesi takaisin päävalikkoon.

Recovery (Palautuminen)

- RECOVERY-painike on käytössä vain, jos pulssi havaitaan.
- AIKA on aluksi "0:60" (sekuntia) ja etenee nolnaan.
- Tietokoneessa näkyy F1-F6 taaksepäin laskemisen jälkeen sykkeen palautumistilan testaamiseksi. Käyttäjä voi katsoa sykkeen palautumistilan alla olevasta taulukosta.
- Palaa edelliseen näyttöön painamalla RECOVERY-painiketta uudelleen.

F1	Loistava
F2	Erinomainen
F3	Hyvä
F4	Kohtalainen
F5	Keskiarvon alapuolella
F6	Huono

Vianmääritys:

- Jos signaalia ei ole polkiessasi, tarkista kaapeli asianmukainen kytkentä.

⚠ HUOMAUTUS

- Päänäyttö kytkeytyy pois päältä, jos keskeytät harjoituksen neljäksi minuutiksi.
- Jos tietokone näyttää epänormaaleja tietoja, asenna muuntaja uudestaan ja yritä uudestaan.

Sovellus & Bluetooth

- Tämä konsoli voi muodostaa yhteyden älylaitteen sovellukseen Bluetoothin välityksellä. (iOS & Android)
- Luo Bluetooth-yhteys vain asennetun APP-yhteystilan avulla älykkäässä laitteessa.
- Kun konsoli on yhdistetty älylaitteeseen Bluetoothin välityksellä, konsoli kytkeytyy pois päältä.

⚠ HUOM

- Tunturi ainoastaan tarjoaa mahdollisuuden yhdistää kuntolaite Bluetooth-yhteyden välityksellä. Tunturi ei siten ole vastuussa muiden kuin Tunturi-tuotteiden vahingoista tai toimintahäiriöistä.
- Tarkista verkkosivuilla lisätietoja.

Puhdistus ja huolto

Laite ei vaadi erityishuoltoa. Laite ei vaadi uudelleenkalibrointia kokoonpanon, käytön ja ohjeiden mukaan suoritetun huollon jälkeen.

⚠ VAROITUS

- Irrota adapteri ennen puhdistusta ja huoltoa.
 - Älä käytä liuottimia laitteen puhdistukseen.
- Puhdista laite pehmeällä, imukykyisellä kankaalla jokaisen käytön jälkeen.
 - Tarkista säännöllisesti kaikkien ruuvien ja mutterien olevan tiukasti kiinni.
 - Voitele nivelet tarvittaessa.
 - Puhdista kiskojen sisäpinnat tarvittaessa, jotta istuin liikkuu mahdollisimman tasaisesti ja äänettömästi. Tarvittaessa voit parantaa istuimen liikettä lisäämällä kiskojen pintaan parafiinia.

Käyttöhäiriöt

Jatkuvasta laaduntarkkailusta huolimatta laitteessa saattaa esiintyä yksittäisistä komponenteista johtuvia yksilövikoja tai toimintahäiriöitä. Koko laitteen toimittaminen korjattavaksi on yleensä tarpeetonta, sillä vika on useimmiten korjattavissa ko. osan vaihdolla.

Mikäli laitteen toiminnassa ilmenee häiriöitä käytön aikana, ota välittömästi yhteys laitteen myyjään. Ilmoita laitteesi malli ja sarjanumero (sarjanumerotarran sijainnin näet tämän käyttöohjeen etukannen sisäpuolelta). Ilmoita lisäksi häiriön luonne, laitteen käyttöympäristö sekä ostopäivämäärä.

Mikäli tarvitset laitteeseesi varaosia, ota yhteys laitteen myyjään. Ilmoita aina laitteen malli, sarjanumero sekä tarvittavan osan varaosnumero. Varaosaluettelon löydät tämän oppaan lopusta. Laitteessa saa käyttää vain varaosalistassa mainittuja osia.

Kaukosäädin ei toimi

Kun ohjaustankoon yhdistetty kaukosäädin ei enää toimi, se ei todennäköisesti ole enää yhteydessä laitteeseen. Ohjaustangon säätöyksikön ja näytön välisen yhteyden palauttamiseksi ohjaustankoa on käytettävä ensin paristovirralla ennen soutilaitteen liittämistä. Siksi:

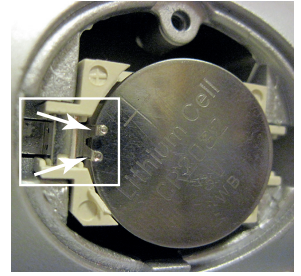
1. Irrota soutilaitteen muuntaja.
2. Avaa paristokotelo ohjaustangon takaa ja irrota CR2032-paristo. (Odota 2 sekuntia)
3. Asenna CR2032-paristo uudelleen ja sulje lokeron takakansi uudelleen.
4. Kytke soutilaitteen muuntaja uudelleen, ja odota vähintään 10 sekuntia (ellet odota 10 sekuntia, prosessi epäonnistuu).
5. Testaa laitteen toiminta painamalla näytön käynnistyspainiketta, ja käytä kaukosäätimen ylös/alas-näppäimiä nähdäksesi, onnistuuko kireyden säätäminen.

Tämän pitäisi palauttaa yhteys.

Jos kädensijaan yhdistetty kaukosäädin ei toimi, todennäköisin syy on, että kädensijan paristosta on loppunut virta. Vaihda CR2032-nappiparisto uuteen.

⚠ HUOM

- Varmista CR2032-paristoa asentaessasi, että asetat sen oikein päin, etteivät pariston navat tule väärin päin.
- Tarkista, että metallikoukku on pariston yläpuolella kuten kuvassa.
- Polariteetti: - alaspäin + ylöspäin

**Sykkivä rullat**

- Kun pyörät liikaa meteliä liikkueessaan, sovelletaan 2cc. voiteluainetta sekä kiskot.

⚠ VAROITUS

- Suosittelemme silikonipohjaista voiteluainetta.
- Liika voiteluaine voi liata matto tai pölyä vaurioita. Pyyhi liikaa voiteluainetta kuivalla liinalla.

Kuljetus ja säilytys**⚠ VAROITUS**

- Irrota adapteri ennen kuljetusta ja varastointia.
- Vähintään kahden henkilön on kannettava ja siirrettävä laitetta.

- Seisokaa laitteen edessä sen kummallakin puolella ja tarttuka tiukasti kiinni käsitangoista. Nostakaa laitetta siten, että laitteen takapää on pyöriällä. Siirtäkää laite ja laskekaa se varovasti alas. Asettakaa laite suojalustalle lattiapinnan vaurioiden estämiseksi.
- Siirrä laitetta varovasti epätasaisilla pinnoilla. Älä siirrä laitetta yläkertaan pyöriä käyttäen. Suorita siirto kahvatuista kantaen.
- Säilytä laitetta kuivassa, mahdollisimman tasalämpötilaisessa paikassa.

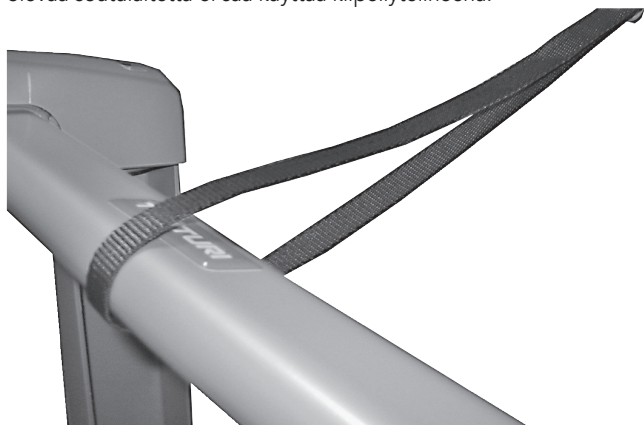
R60-soutilaitteen voi nostaa tilaa säästävään säilytysasentoon seuraavasti:

- Löysää eturungon alla olevaa lukitusnuppia, paina eturunkoa hieman alaspäin ja vedä lukitusnuppia ylöspäin.
- Avaa vasemmalla puolella oleva lukitusvalpa painamalla kielekettä sivulle. Nosta samalla eturunko ylös.



- Laske eturunko varovasti kiskojen väliin. Varmista, että eturunko on lukittunut.
- Tartu soutulaitteen takaosan poikkiputkeen ja nosta laite pystyyn etupään tukijalkojen varaan.

Säilytä soutulaitetta säilytysasennossa seinää vasten siten, ettei eturunko vahingossa avattaessa pääse kaatumaan kenenkään päälle. **TÄRKEÄÄ!** Laitteen mukana on toimitettu lenkki ja koukku, joiden avulla soutulaite pysyy tukevasti säilytysasennossa. Valitse sopiva säilytyspaikka soutulaitteellesi seinän vierestä ja kiinnitä koukku tukevasti seinään oikealle korkeudelle. Nosta soutulaite säilytysasentoon koukun eteen. Laita soutulaitteen mukana toimitettu lenkki laitteen takaosan poikkiputken ympäri ja kiinnitä lenkki koukkuun. Säilytysasennossa olevaa soutulaitetta ei saa käyttää kiipeilytelineenä!



Lisätietoa laitteen omistajalle

Pakkauksen hävittäminen

Lainsäädäntö ohjeistaa meitä vähentämään kaatopaikoille toimitetun jätteen määrää. Sen vuoksi pyydämme sinua toimittamaan kaikki pakkauksijätteet sitä varten tarkoitettuun kierrätyspisteeseen.

Laitteen hävittäminen käyttöiän päätyttyessä

Me Tunturilla toivomme, että iloitset kuntolaitteestasi vuosia. Jokainen kuntolaite tulee kuitenkin aikanaan oman käyttöikänsä loppuun. Kotitalouksien sähkö- ja elektroniikkalaiteromua käsittelevien eurooppalaisten määräysten (WEEE) mukaan sinun kuuluu toimittaa kuntolaitteesi sitä varten tarkoitettuun keräyspaikkaan.

Tekniset tiedot

Parametri	Mittayksikkö	Arvo
Telemetrinen sykevastaanotin	äden yhteys 5.3~ 5.4 Khz. Bluetooth (BLE) ANT+	<input checked="" type="checkbox"/> <input checked="" type="checkbox"/> <input checked="" type="checkbox"/> <input checked="" type="checkbox"/>
Pituus	cm inch	197 77,6
Leveys	cm inch	50 19.7
Korkeus	cm inch	66 26
Paino	kg lbs	46.4 102.3
Suurin sallittu käyttäjän paino	kg lbs	135 300
Sovitin Jännite Virta	V Ma.	9V-DC 1,5 A.

Takuu

TTakuuehdot

Kuluttajalla on sovellettavan kulutustavaroiden kauppaa koskevan kansallisen lainsäädännön mukaiset lailliset oikeudet, eikä takuulla rajoiteta näitä oikeuksia. Omistajan Takuu on voimassa vain, mikäli laitetta käytetään Tunturi New Fitness BV:n kyseiselle laitteelle sallimassa käyttöympäristössä. Kunkin laitteen sallittu käyttöympäristö mainitaan laitteen käyttöohjeessa.

Takuuehdot

Takuuehdot tulevat voimaan tuotteen ostopäivästä lukien. Takuuehdot voivat olla erilaiset eri maissa, joten pyydä takuuehdot paikalliselta jälleenmyyjältä.

Takuun kattavuus

Missään olosuhteissa Tunturi New Fitness BV tai Tunturi-jälleenmyyjä ei vastaa ostajalle mahdollisesti aiheutuvista välillisistä vahingoista, kuten käyttöhyödyn tai tulojen menetyksestä taikka muista taloudellisista seurausvahingoista.

Takuun rajoitukset

Takuu kattaa työstä ja materiaalista johtuvat virheet kuntolaitteessa, joka on alkuperäisessä kokoonpanossaan. Takuu koskee vain virheitä, jotka ilmenevät normaalissa ja laitteen mukana tulleen ohjekirjan mukaisessa käytössä edellyttäen, että Tunturin asennus-, huolto- ja käyttöohjeita on noudatettu. Tunturi New Fitness BV:n ja Tunturin jälleenmyyjät eivät vastaa virheistä, jotka aiheutuvat heidän vaikutusmahdollisuuksiensa ulkopuolella olevista seikoista. Takuu on voimassa vain niissä maissa, joissa Tunturi New Fitness BV:llä on valtuutettu maahantuojia. Takuu ei koske sellaisia kuntolaitteita tai osia, joita on muutettu ilman Tunturi New Fitness BV:n suostumusta. Takuu ei koske virheitä, jotka johtuvat luonnollisesta kulumisesta, virheellisestä käytöstä, käytöstä olosuhteissa, joihin kuntolaitetta ei ole tarkoitettu, korroosiosta tai lastaus- tai kuljetusvahingoista.

Takuu ei koske käyttöäniä, jotka eivät olennaisesti haittaa laitteen käyttöä eivätkä johdu laitteessa olevasta virheestä. Takuu ei myöskään sisällä kunnossapitotoimenpiteitä, kuten puhdistusta, voitelua tai sen osien normaalia tarkistamista, eikä sellaisia asennustoimenpiteitä, jotka asiakas voi suorittaa itse ja jotka eivät edellytä erityistä kuntolaitteen purkamista / kokeamista. Tällaisia toimenpiteitä ovat esim. mittareiden, polkimien tai muiden vastaavien yksinkertaisten osien vaihdot. Muun kuin valtuutetun Tunturi-edustajan suorittamia takuukorjauksia ei korvata. Laitteen käyttöohjeen noudattamatta jättäminen aiheuttaa takuun raukeamisen.

Valmistajan vakuutus

Tunturi New Fitness BV vakuuttaa tuotteen täyttävän seuraavien standardien ja direktiivien vaatimukset: EN 957 (HB), 2014/30/EU. Tässä tuotteessa on sen vuoksi CE-merkki..

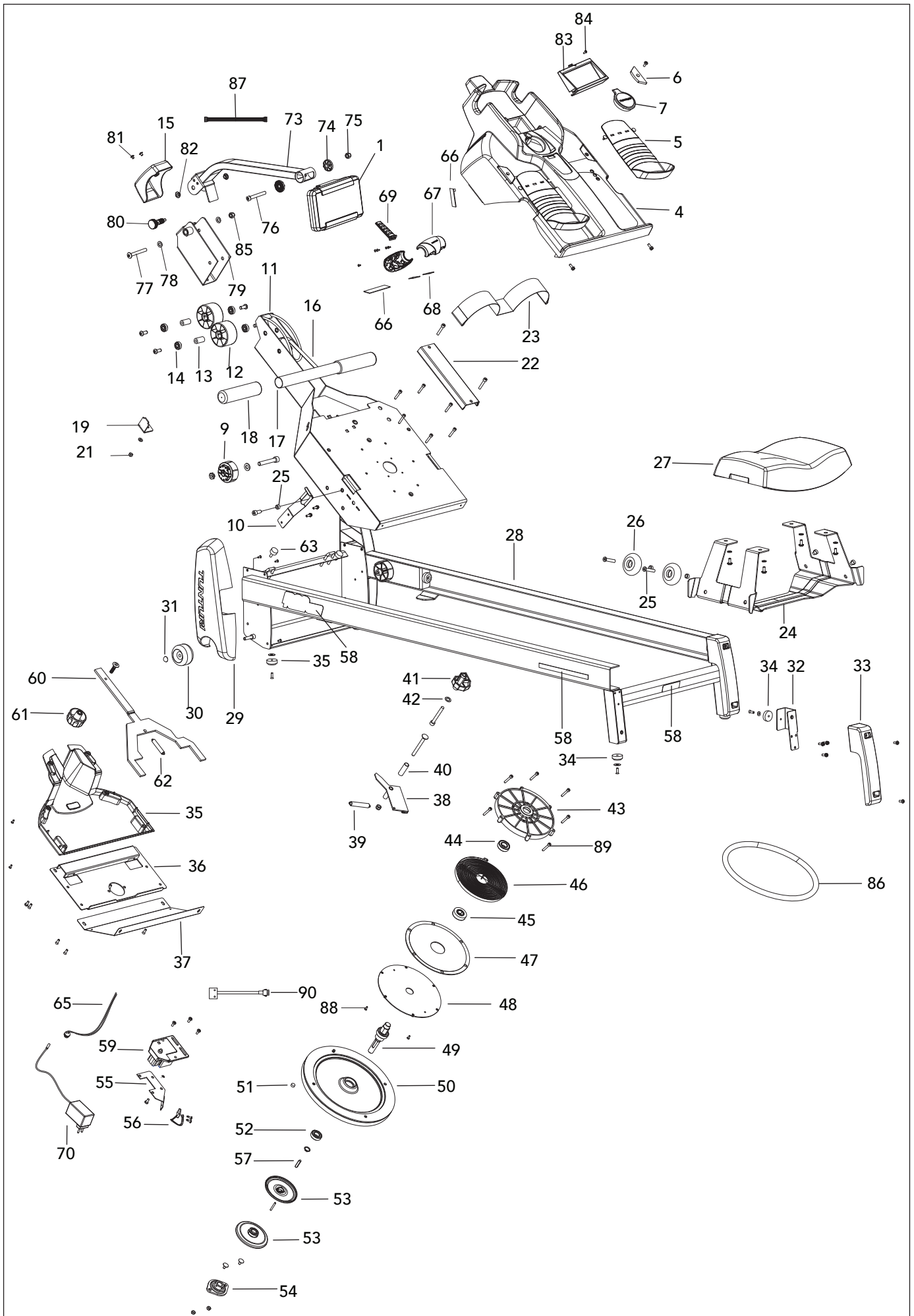
07-2020

Tunturi New Fitness BV
Purmerweg 1
1311 XE Almere
Alankomaat

Vastuuvapauslauseke

© 2020 Tunturi New Fitness BV
Kaikki oikeudet pidätetään.

- Tuote ja käyttöopas saattavat muuttua.
- Teknisiä tietoja saatetaan muuttaa ilman eri ilmoitusta.
- Katso käyttöohjeiden uusin versio verkkosivustoltamme.



NR	Description	Specs	Qty
1	User interface + BT		1
2	Membrane of NEW R60		1
4	Foot rest cover		1
	Screw	M5x14 DIN 7500	2
5	Foot rest, EUR		2
	Foot rest, USA		2
6	Plug		2
	Screw	M5x12 DIN 7985	2
7	Cap		1
9	Sleeve		2
	Hex socket cap screw	M10x65 DIN 912	2
	Washer	M10 DIN 125	2
	Nut	M10 DIN 934	2
10	Locking lever		1
	Screw	M5x14 DIN 7500	2
11	Frame		1
12	Pulley		2
13	Sleeve		2
14	Bearing	608Z	4
	Hex socket cap screw	M8x20 ISO 7380	4
15	Pulley cover		1
	Screw	M5x12 DIN 7985	1
	Hex socket cap screw	M6x16 DIN 912	1
16	Rope		1
17	Draw bar		1
18	Handle grip		2
19	Washer		1
21	Nylon nut		1
22	Foot strap bracket		1
	Hex socket cap screw	M6x35 DIN 912	2
23	Foot strap		1
24	Seat roller frame		1
25	Sleeve		4
26	Wheel		4
	Hex. socket cap screw	M8x35 ISO 7380	4
27	Seat		1
	Washer	M6 DIN 125	4
	Hex socket cap screw	M6x14 ISO 7380	4

NR	Description	Specs	Qty
28	Main frame		1
29	Frame cover, RH		1
	Frame cover, LH		1
	Screw	KA 35x12 WN 1411	8
30	Wheel		2
31	Retainer		2
32_L	Rear bracket, LH		1
32_R	Rear bracket, RH		1
	Screw	M5x14 DIN 7500	6
33	Rear support cover		2
	Screw	M5x12 DIN 7985	4
34	Foot plug		8
	Countersunk head screw	M5x16 DIN 7500 M	8
35	Case cover		1
	Screw	M5x12 DIN 7985	4
	Screw	KA 35x12 WN-1411	4
36	Frame under plate		1
	Countersunk head screw	M5x12 DIN 966	4
37	Under plate		1
	Screw	M5x12 DIN 7985	2
38	Brake slacker		1
	Lock screw	M8x80 DIN 603	1
	Nylock nut	M8 DIN 985	1
39	Spring		1
40	Spring		1
41	Adjustment wheel		1
43	Spring case (incl. 44 - 48)		1
44	Bearing		2
45	Spring hub		1
46	Spring		1
47	Damper		1
48	Spring case cover		1
	Screw	KA 35x12 WN-1411	2
	Hex socket cap screw	M5x30 DIN 912	6
49	Axle		1
50	Flywheel (incl. 51, 52)		1
51	Magnet		1
52	Bearing	6003ZZ C3	1

NR	Description	Specs	Qty
	Retainer	15 DIN 471	1
53	Belt wheel		2
	Cotter-pin		1
54	Bearing house		1
	Lock screw	M6x12 DIN 603	2
	Nylock nut	M6 DIN 985	2
55	Sensor bracket		1
56	Speed sensor		1
	Screw	3,5x13 DIN 7504-K	2
57	Spline		1
58	Label set		1
59	Servo motor		1
	Countersunk head screw	M5x12 DIN 966	2
	Nylon nut	M5 DIN 985	1
60	Locking lever		1
61	Knob		1
62	Spring		1
63	Bumper		2
64	Locking lever		4
	Hex socket cap screw	M6x14 ISO 7380	2
65	DC-Wire		1
66	Remote control card incl.40		1
67	Remote control cover (incl. 68)		1
	Screw	KB 22x7WN-1412	1
	Screw	KB 30x8 WN-1412	5
68-1	Membrane +		1
68-2	Membrane -		1
69	Bumper		1
70	Transformer EUR	9V 1.5A	1
71	Build -in receiver		1
72	Wire		1
73	Console support arm		1
74	Tube cap		2
75	Nylon Nut M8		1
76	Allen round head screwM8*80		1
77	Allen screw M8*65		1
78	Flat washer8.5*16*T1.5		2
79	Frame connection plate		1
80	Pull pin		1

NR	Description	Specs	Qty
81	Cross Screw M5*12		2
82	Rubber bushing		2
85	Hat Nut M8		1
83	Deco cover ,main body		1
84	Screw M6*16		1
85	Domed nut	M8	1
86	Vecro		1
87	Upper control wire		1
88	Auto philips screw	12mm	2
89	Hex socket head screw	30*M5	6
90	Speed sensor wire		1



Tunturi New Fitness BV

Purmerweg 1 NL - 1311 XE Almere
P.O. Box 60001 NL - 1320 AA Almere
The Netherlands

www.tunturi.com



20210603-W